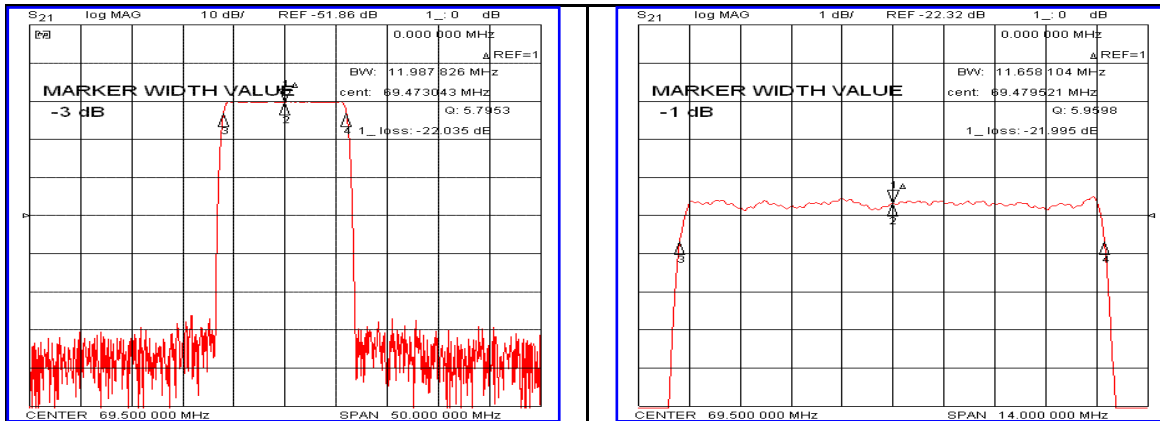


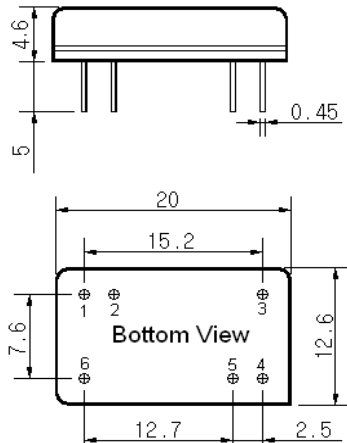
Typical Performance



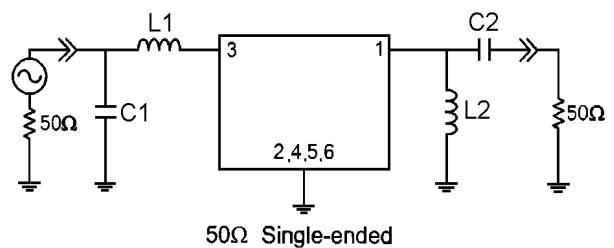
Specification

| Parameter | Unit | Min. | Typ. | Max. |
|--------------------------------------------------|-------------------------|------------------------|-------|-------|
| Center Frequency | MHz | 69.35 | 69.50 | 69.65 |
| Insertion Loss | dB | - | 22.00 | 24.00 |
| 1dB Bandwidth | MHz | 11.40 | 11.65 | - |
| 3dB Bandwidth | MHz | - | 11.98 | - |
| 40dB Bandwidth | MHz | - | 13.40 | 13.60 |
| 50dB Bandwidth | MHz | - | 13.60 | 14.00 |
| Passband Ripple($F_c \pm 5.5\text{MHz}$) | dB | - | 0.45 | 0.90 |
| Group Delay Variation($F_c \pm 5.5\text{MHz}$) | dB | - | 35 | 70 |
| Ultimate Attenuation | dB | 50 | 55 | - |
| Absolute Delay | μsec | - | 2.17 | 2.35 |
| Substrate Material | - | 128-LiNbO ₃ | | |
| Temperature Coefficient | ppm/ $^{\circ}\text{C}$ | -72 | | |

Package Dimension



Matching Configuration



L1=22nH, L2=120nH, C1=7pF, C2=75pF
 Source / Load Impedance = 50Ω
 Ambient Temperature = 25°C

Rev 0. 120622

