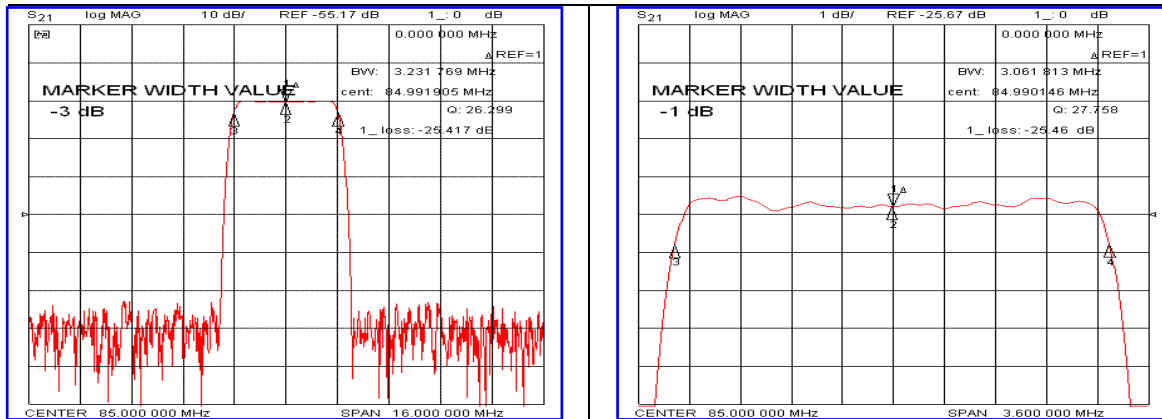


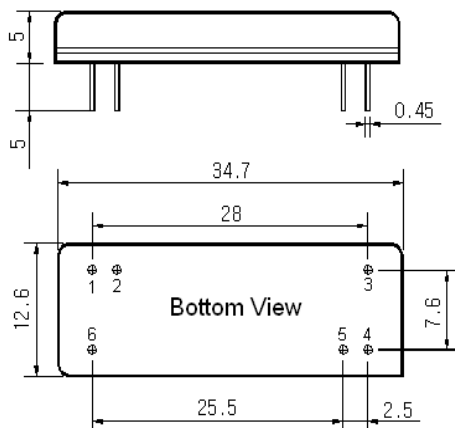
### Typical Performance



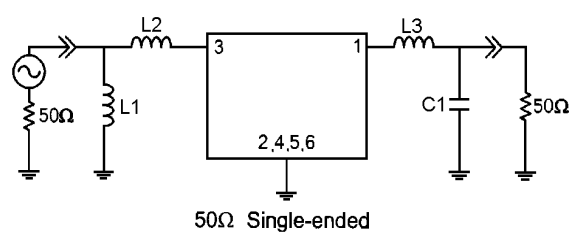
### Specification

Parameter	Unit	Min.	Typ.	Max.
Center Frequency	MHz	84.90	85.00	85.10
Insertion Loss	dB	-	26.00	28.00
1dB Bandwidth	MHz	-	3.06	-
3dB Bandwidth	MHz	3.10	3.23	-
20dB Bandwidth	MHz	-	3.74	4.00
40dB Bandwidth	MHz	-	3.95	4.05
Passband Ripple	dB	-	0.50	1.00
Group Delay Variation	nsec	-	100	200
Absolute Delay	usec	-	2.93	-
Ultimate Attenuation Fc ± 5.5MHz Point	dB	50	60	-
Substrate Material	-	Quartz		

### Package Dimension



### Matching Configuration



L1=68nH, L2=82nH, L3=180nH, C1=82nH  
 Source / Load Impedance = 50Ω  
 Ambient Temperature = 25°C

Rev.0 120830

