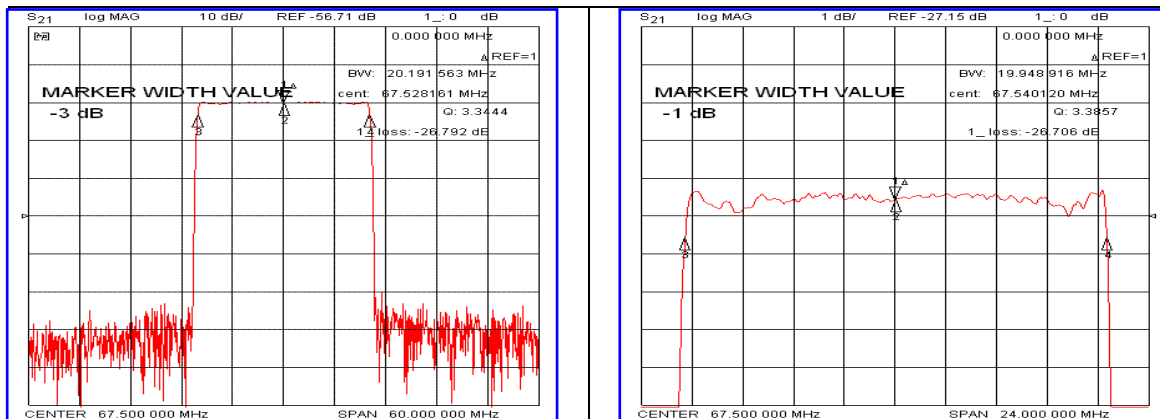


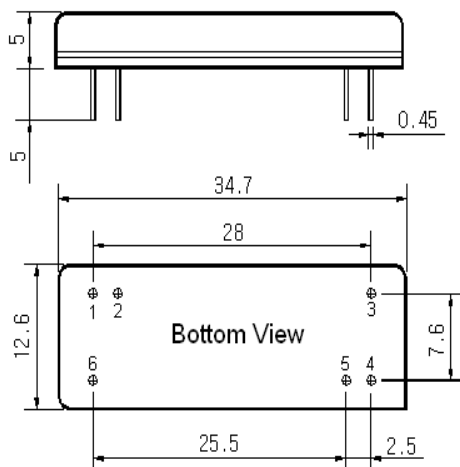
### Typical Performance



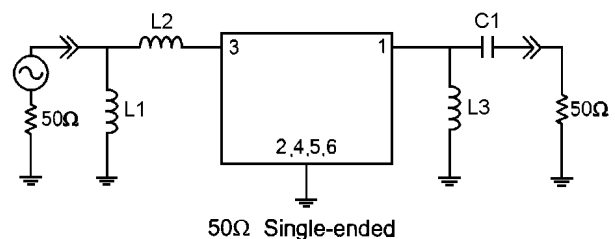
### Specification

| Parameter   | Unit                    | Min.                   | Typ.  | Max.  |
|---|-------------------------|------------------------|-------|-------|
| Center Frequency                                  | MHz                     | -                      | 67.50 | -     |
| Insertion Loss                                    | dB                      | -                      | 26.80 | 28.50 |
| 1dB Bandwidth                                     | MHz                     | 19.80                  | 19.94 | -     |
| 25dB Bandwidth                                    | MHz                     | -                      | 21.00 | -     |
| 40dB Bandwidth                                    | MHz                     | -                      | 21.20 | 21.30 |
| Passband Ripple( $F_c \pm 9.50\text{MHz}$ )       | dB                      | -                      | 0.67  | 1.00  |
| Group Delay Variation( $F_c \pm 9.50\text{MHz}$ ) | dB                      | -                      | 50    | 100   |
| Absolute Delay                                    | $\mu\text{sec}$         | -                      | 3.00  | -     |
| Ultimate Attenuation                              | dB                      | 45                     | 50    | -     |
| Substrate Material                                | -                       | 128-LiNbO <sub>3</sub> |       |       |
| Temperature Coefficient                           | ppm/ $^{\circ}\text{C}$ | -72                    |       |       |

### Package Dimension



### Matching Configuration



L1=180nH, L2=100nH, L3=100nH, C1=56pF  
 Source / Load Impedance = 50Ω  
 Ambient Temperature = 25°C

Rev0. 120510

