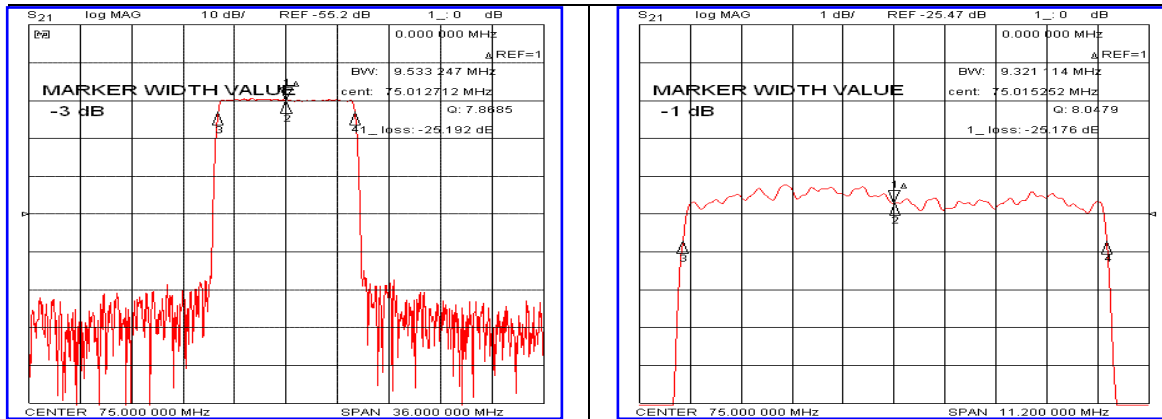


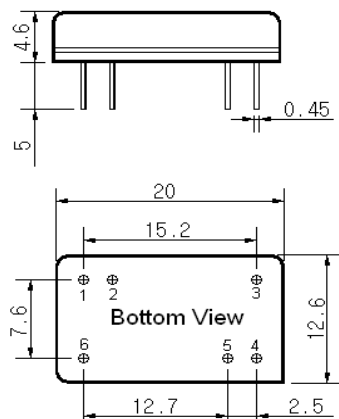
### Typical Performance



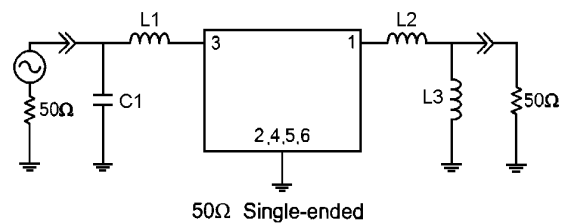
### Specification

Parameter	Unit	Min.	Typ.	Max.
Center Frequency	MHz	-	75.00	-
Insertion Loss	dB	-	25.20	27.50
1dB Bandwidth	MHz	9.20	9.32	-
3dB Bandwidth	MHz	-	9.53	-
35dB Bandwidth	MHz	-	10.36	10.40
Relative Attenuation				
$\Delta F_c \pm 5.2\text{MHz}$				
$\Delta F_c \pm 6.0\text{MHz}$	dB	30	38	-
$\Delta F_c \pm 10\text{MHz}$		40	45	-
$\Delta F_c \pm 15\text{MHz}$		40	45	-
Passband Ripple( $F_c \pm 4.5\text{MHz}$ )	dB	-	0.75	1.20
Group Delay Variation( $F_c \pm 4.5\text{MHz}$ )	nsec	-	100	200
Absolute Delay	usec	-	2.19	-
Substrate Material	-	112-LiTaO <sub>3</sub>		
Temperature Coefficient	ppm/°C	-18		

### Package Dimension



### Matching Configuration



L1=68nH, L2=56nH, L3=39nH, C1=130pF  
 Source / Load Impedance = 50Ω  
 Ambient Temperature = 25°C

Rev.0 120924

