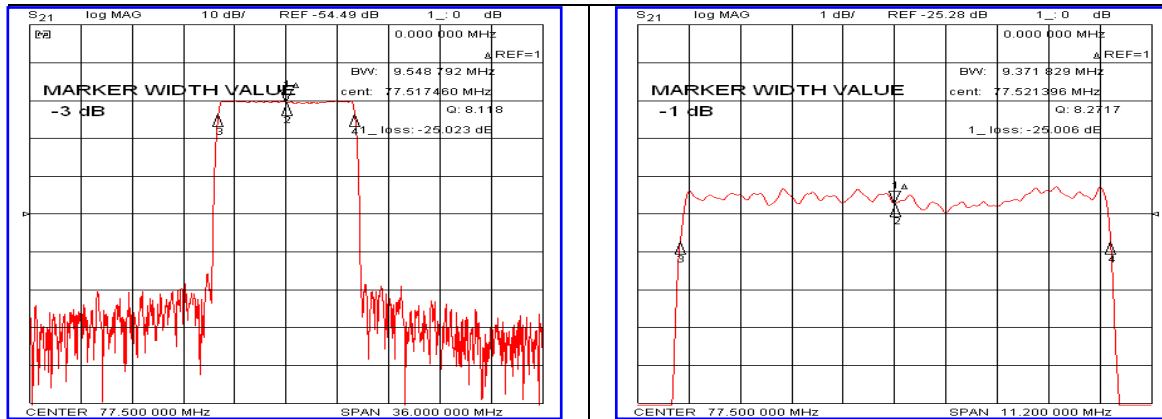


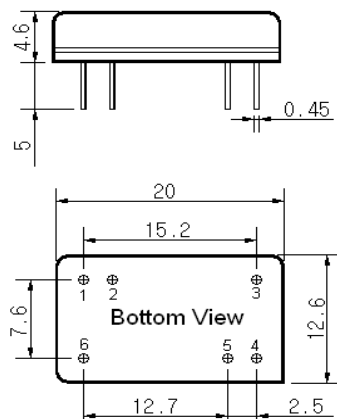
Typical Performance



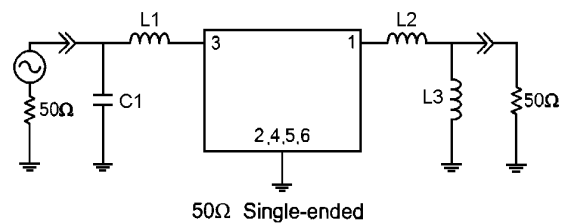
Specification

Parameter	Unit	Min.	Typ.	Max.
Center Frequency	MHz	-	77.50	-
Insertion Loss	dB	-	25.20	27.50
1dB Bandwidth	MHz	9.20	9.37	-
3dB Bandwidth	MHz	-	9.54	-
35dB Bandwidth	MHz	-	10.33	10.40
Relative Attenuation				
$\Delta F_c \pm 5.2\text{MHz}$				
$\Delta F_c \pm 6.0\text{MHz}$	dB	30	38	-
$\Delta F_c \pm 10\text{MHz}$		40	45	-
$\Delta F_c \pm 15\text{MHz}$		40	45	-
Passband Ripple($F_c \pm 4.5\text{MHz}$)	dB	-	0.70	1.20
Group Delay Variation($F_c \pm 4.5\text{MHz}$)	nsec	-	100	200
Absolute Delay	usec	-	2.19	-
Substrate Material	-	112-LiTaO ₃		
Temperature Coefficient	ppm/°C	-18		

Package Dimension



Matching Configuration



L1=68nH, L2=47nH, L3=39nH, C1=120pF
 Source / Load Impedance = 50Ω
 Ambient Temperature = 25°C

Rev.0 120924

