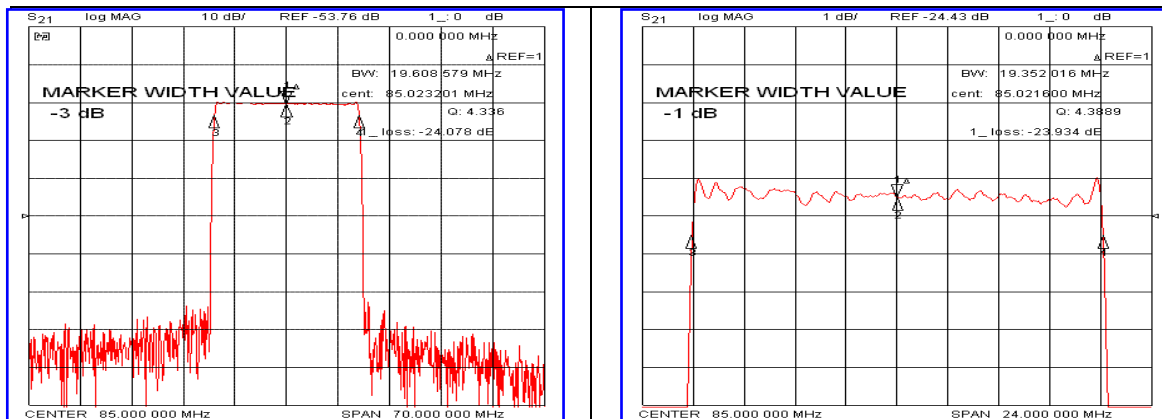


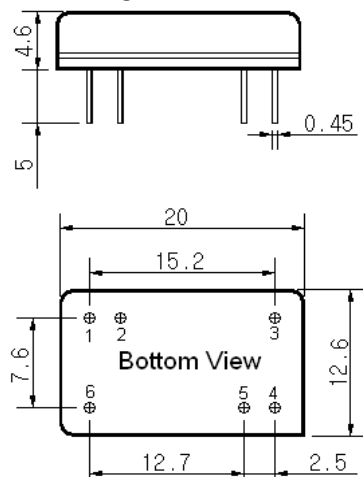
Typical Performance



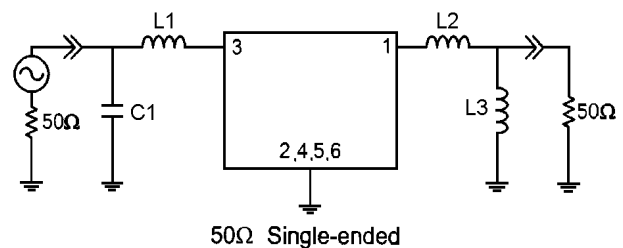
Specification

| Parameter | Unit | Min. | Typ. | Max. |
|---|-------------------------|------------------------|-------|-------|
| Center Frequency | MHz | - | 85.00 | - |
| Insertion Loss | dB | - | 24.20 | 26.50 |
| 1dB Bandwidth | MHz | 19.20 | 19.35 | - |
| 3dB Bandwidth | MHz | - | 19.60 | - |
| 45dB Bandwidth | MHz | - | 20.75 | 20.80 |
| Passband Ripple($F_c \pm 9.42\text{MHz}$) | dB | - | 0.78 | 1.20 |
| Group Delay Variation($F_c \pm 9.42\text{MHz}$) | nsec | - | 60 | 120 |
| Absolute Delay | μsec | - | 2.21 | - |
| Ultimate Attenuation | dB | 50 | 53 | - |
| Substrate Material | - | 128-LiNbO ₃ | | |
| Temperature Coefficient | ppm/ $^{\circ}\text{C}$ | -72 | | |

Package Dimension



Matching Configuration



L1=150nH, L2=15nH, L3=180nH, C1=20pF
 Source / Load Impedance = 50Ω
 Ambient Temperature = 25°C

Rev2. 121121

