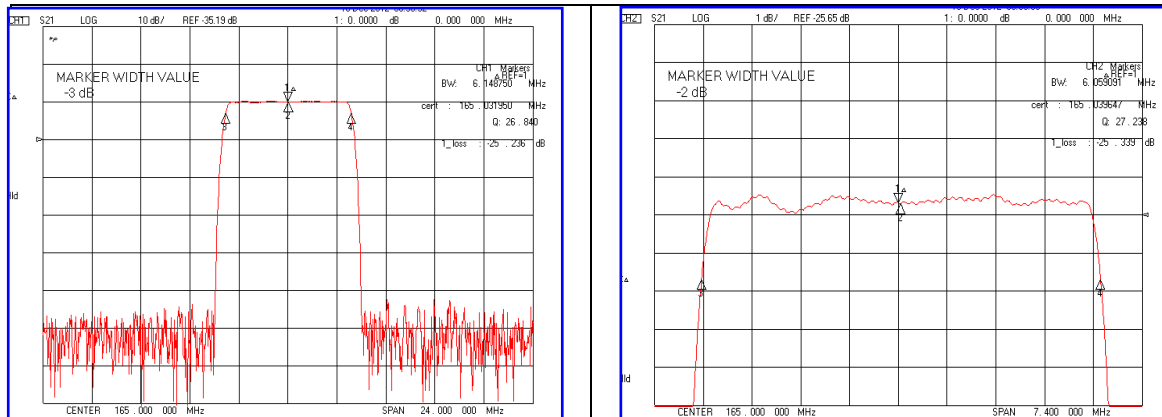


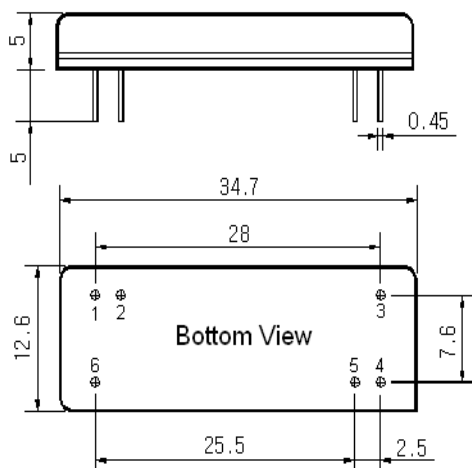
Typical Performance



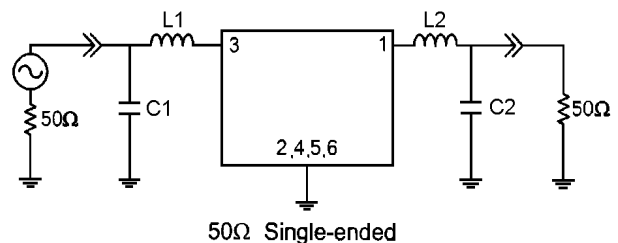
Specification

Parameter	Unit	Min.	Typ.	Max.
Center Frequency	MHz	164.85	165.00	165.15
Insertion Loss	dB	-	25.50	27.50
2dB Bandwidth	MHz	5.95	6.05	-
25dB Bandwidth	MHz	-	6.85	6.95
40dB Bandwidth	MHz	-	7.10	-
Passband Ripple	dB	-	0.55	1.00
Group Delay Variation	nsec	-	100	200
Absolute Delay	µsec	-	4.10	-
Ultimate Attenuation	dB	50	53	-
Substrate Material	-	112-LiTaO ₃		
Temperature Coefficient	ppm/°C	-20		

Package Dimension



Matching Configuration



L1=15nH, L2=15nH, C1=39pF, C2=13pF
 Source / Load Impedance = 50Ω
 Ambient Temperature = 25°C

Rev0. 121220

