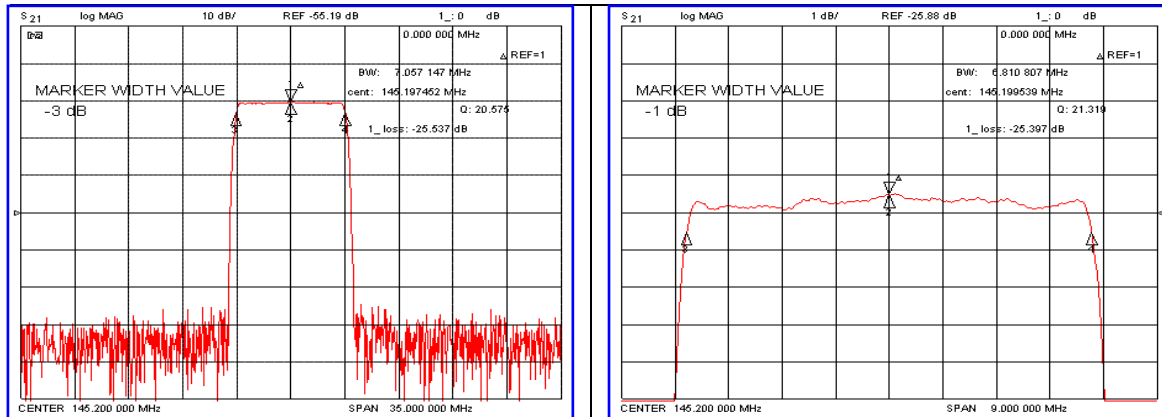


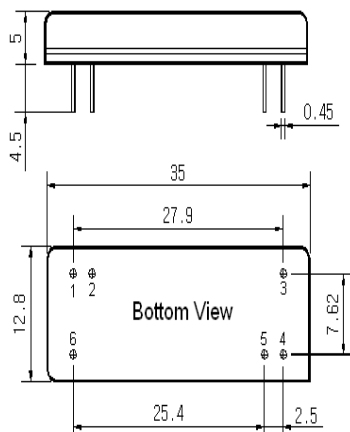
### Typical Performance



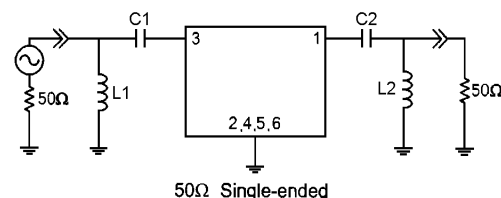
### Specification

Parameter	Unit	Min.	Typ.	Max.
Center Frequency	MHz	145.05	145.20	145.35
Insertion Loss	dB	-	25.50	27.00
1dB Bandwidth	MHz	-	6.81	-
3dB Bandwidth	MHz	6.90	7.05	-
40dB Bandwidth	MHz	-	7.97	8.10
50dB Bandwidth	MHz	-	8.06	-
Passband Ripple	dB	-	0.50	1.00
Group Delay Variation	nsec	-	70	150
Absolute Delay	μsec	-	3.93	-
Ultimate Attenuation	dB	50	55	-
Substrate Material	-	112-LiTaO <sub>3</sub>		
Temperature Coefficient	ppm/°C	-20		

### Package Dimension



### Matching Configuration



L1= L2=33nH, C1=C2=56pF  
 Source / Load Impedance = 50Ω  
 Ambient Temperature = 25°C

10/26/2006

