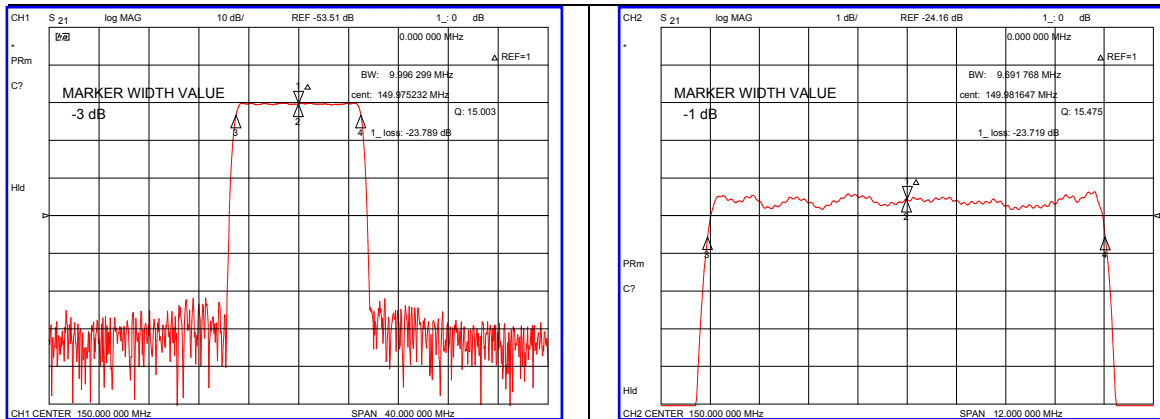


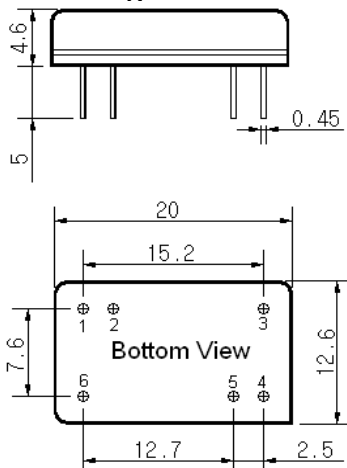
Typical Performance



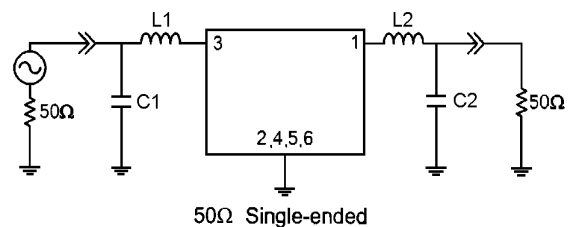
Specification

Parameter	Unit	Min.	Typ.	Max.
Center Frequency	MHz	-	150.00	-
Insertion Loss	dB	-	23.80	25.50
1dB Bandwidth	MHz	9.50	9.69	-
15dB Bandwidth	MHz	-	10.70	-
25dB Bandwidth	MHz	-	11.00	11.20
Passband Ripple($F_c \pm 4.6$ MHz)	dB	-	0.65	1.20
Group Delay Variation($F_c \pm 4.6$ MHz)	nsec	-	100	200
Absolute Delay	μ sec	-	2.83	-
Ultimate Attenuation	dB	45	50	-
Substrate Material	-	112-LiTaO ₃		
Temperature Coefficient	ppm/ $^{\circ}$ C	-20		

Package Dimension



Matching Configuration



L1=39nH, L2=39nH, C1=56pF, C2=39pF
 Source / Load Impedance = 50 Ω
 Ambient Temperature = 25 $^{\circ}$ C

Rev1. 130214

