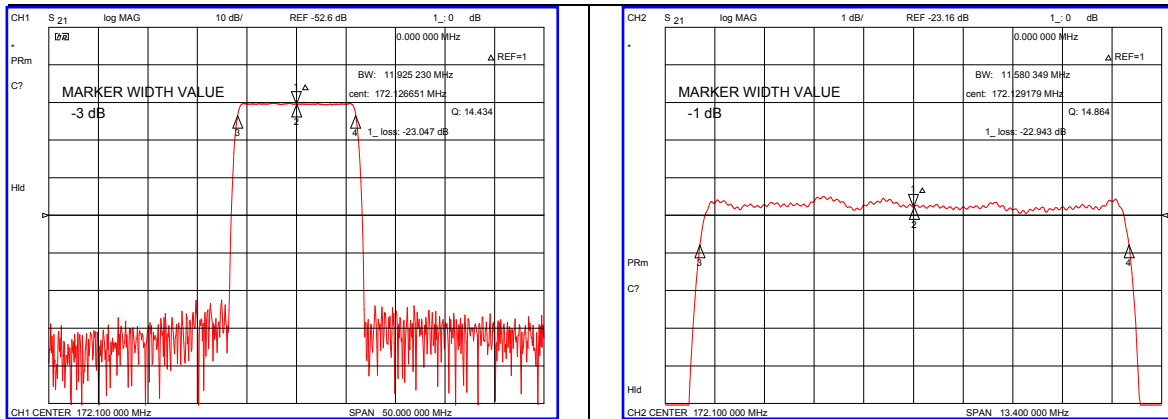


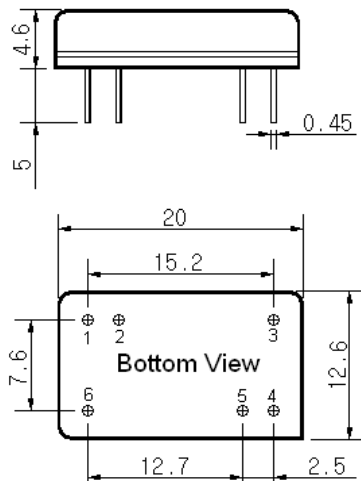
Typical Performance



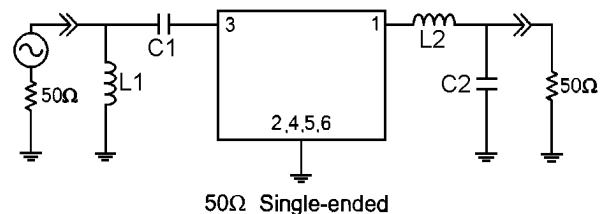
Specification

Parameter	Unit	Min.	Typ.	Max.
Center Frequency	MHz	171.90	172.10	172.30
Insertion Loss	dB	-	23.00	25.00
1dB Bandwidth	MHz	11.30	11.58	-
15dB Bandwidth	MHz	-	12.80	-
25dB Bandwidth	MHz	-	13.10	-
40dB Bandwidth	MHz	-	13.50	13.70
Passband Ripple	dB	-	0.50	1.00
Group Delay Variation	nsec	-	50	100
Absolute Delay	usec	-	2.79	-
Ultimate Attenuation	dB	50	53	-
Substrate Material	-	112-LiTaO ₃		
Temperature Coefficient	ppm/°C	-20		

Package Dimension



Matching Configuration



L1=15nH, L2=33nH, C1=200pF, C2=30pF
 Source / Load Impedance = 50Ω
 Ambient Temperature = 25°C

Rev.0 130227

