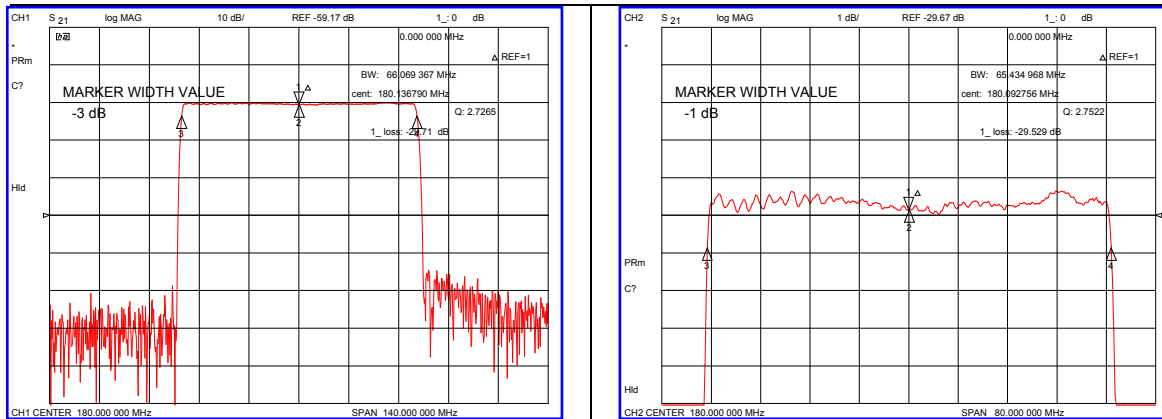


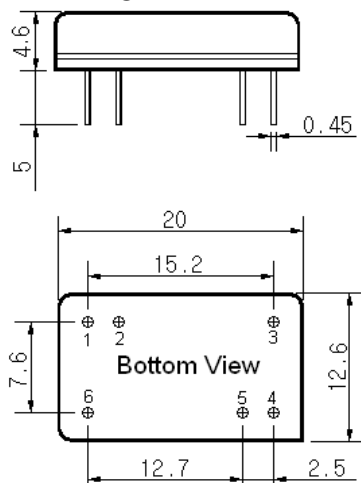
Typical Performance



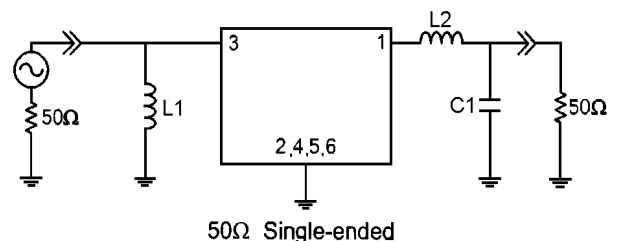
Specification

Parameter	Unit	Min.	Typ.	Max.
Center Frequency	MHz	182.80	183.00	183.20
Insertion Loss	dB	-	29.80	32.00
1dB Bandwidth	MHz	65.20	65.43	-
15dB Bandwidth	MHz	-	67.57	-
25dB Bandwidth	MHz	-	68.21	-
40dB Bandwidth	MHz	-	68.85	69.20
Passband Ripple	dB	-	0.70	1.20
Group Delay Variation	nsec	-	30	50
Absolute Delay	usec	-	1.40	-
Ultimate Attenuation	dB	40	45	-
Substrate Material	-	128-LiNbO ₃		
Temperature Coefficient	ppm/°C	-72		

Package Dimension



Matching Configuration



L1=33nH, L2=47nH, C1=8pF
 Source / Load Impedance = 50Ω
 Ambient Temperature = 25°C

Rev.0 130227

