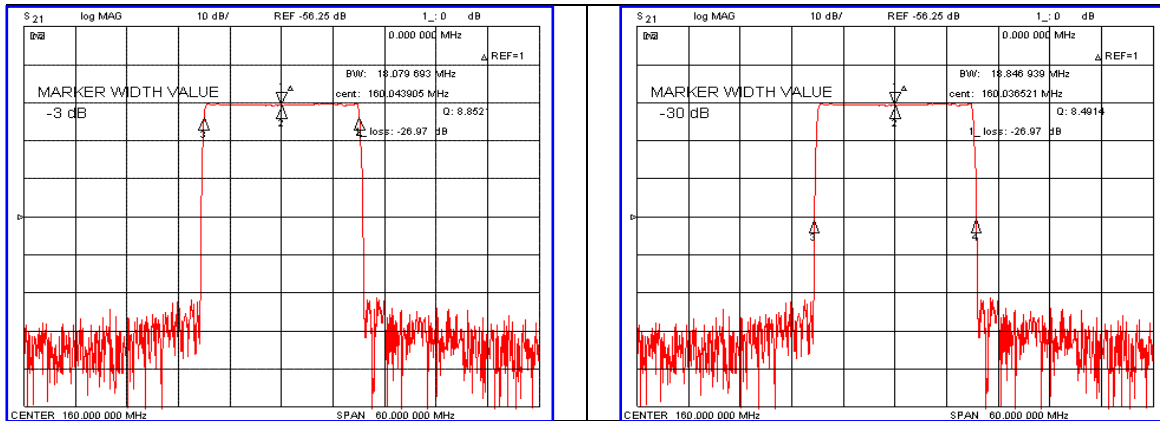


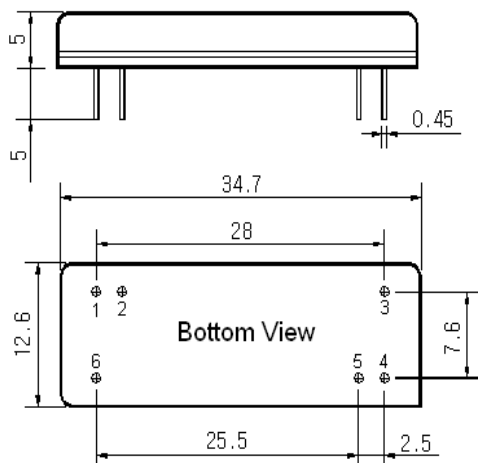
Typical Performance



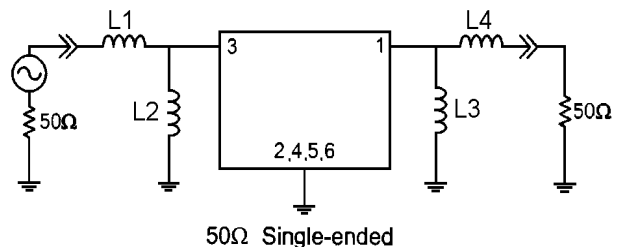
Specification

Parameter	Unit	Min.	Typ.	Max.
Center Frequency	MHz	159.90	160.00	160.10
Insertion Loss	dB	-	27.00	29.00
3dB Bandwidth	MHz	17.96	18.07	-
30dB Bandwidth	MHz	-	18.84	18.90
40dB Bandwidth	MHz	-	18.96	-
50dB Bandwidth	MHz	-	19.05	19.20
Ultimate rejection	dB	48	52	-
Amplitude Ripple	dB	-	0.80	1.20
Absolute Delay	usec	-	3.99	-
Substrate Material	-	112-LiTaO ₃		
Temperature Coefficient	ppm/°C	-20		

Package Dimension



Matching Configuration



L1=39nH, L2=27nH, L3=27nH, L4=39nH
 Source / Load Impedance = 50Ω
 Ambient Temperature = 25°C

Rev.0 130305

