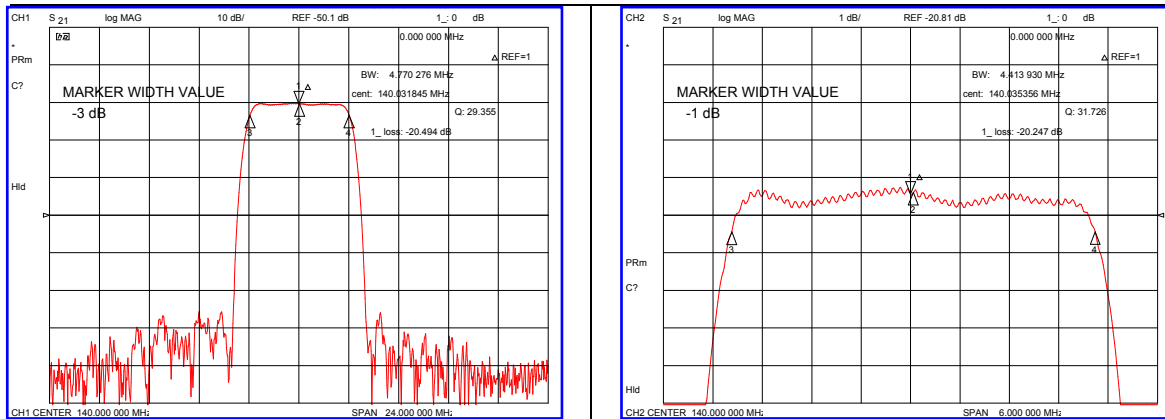


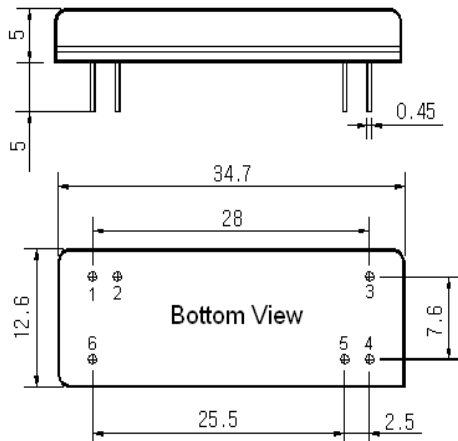
Typical Performance



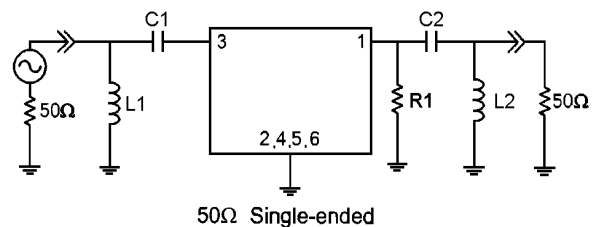
Specification

Parameter	Unit	Min.	Typ.	Max.
Center Frequency	MHz	139.90	140.00	140.10
Insertion Loss	dB	-	20.50	23.00
1dB Bandwidth	MHz	4.36	4.41	-
3dB Bandwidth	MHz	4.50	4.77	-
20dB Bandwidth	MHz	-	5.70	5.90
40dB Bandwidth	MHz	-	6.15	6.25
50dB Bandwidth	MHz	-	6.30	6.40
Return Loss (1dB Bandwidth)	dB	5	7	-
Passband Ripple	dB	-	0.60	1.20
Absolute Delay	μsec	5.0	5.50	6.0
Power Handling	dBm	-	-	10
Ultimate Attenuation	dB	47	53	-
Temperature Coefficient	ppm/°C		-20	

Package Dimension



Matching Configuration



L1= L2=39nH, C1= C2=68pF, R1=75 Ω
 Source / Load Impedance = 50Ω
 Ambient Temperature = 25°C

Rev.0 130227

