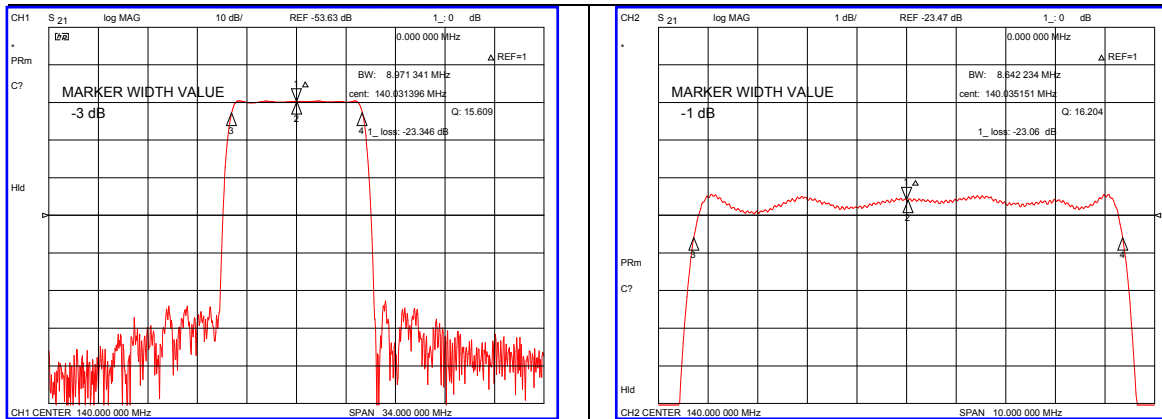


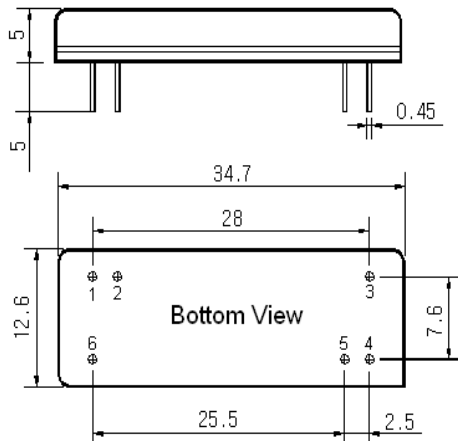
Typical Performance



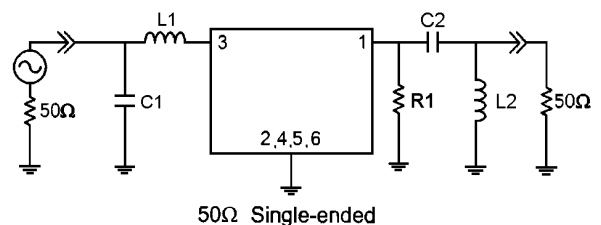
Specification

Parameter	Unit	Min.	Typ.	Max.
Center Frequency	MHz	139.90	140.00	140.10
Insertion Loss	dB	-	23.50	25.50
1dB Bandwidth	MHz	8.56	8.64	-
3dB Bandwidth	MHz	8.70	8.97	-
20dB Bandwidth	MHz	-	9.90	10.10
40dB Bandwidth	MHz	-	10.35	10.45
50dB Bandwidth	MHz	-	10.51	10.60
Return Loss (1dB Bandwidth)	dB	5	8	-
Passband Ripple	dB	-	0.60	1.20
Absolute Delay	μsec	5.0	5.49	6.0
Power Handling	dBm	-	-	10
Ultimate Attenuation	dB	47	53	-
Temperature Coefficient	ppm/°C		-20	

Package Dimension



Matching Configuration



L1= 39nH, L2=39nH,
 C1=51pF, C2=120pF, R1=120 Ω
 Source / Load Impedance = 50Ω
 Ambient Temperature = 25°C

Rev.0 130227

