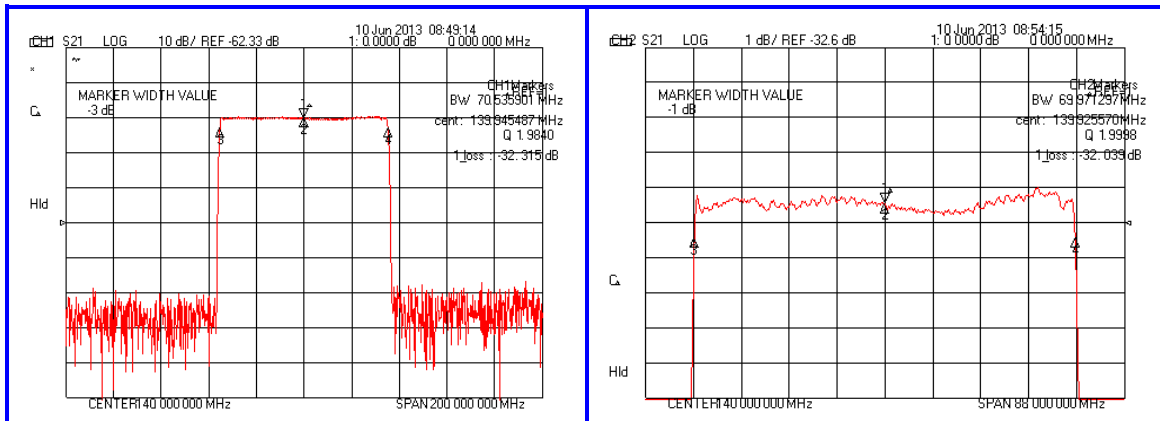


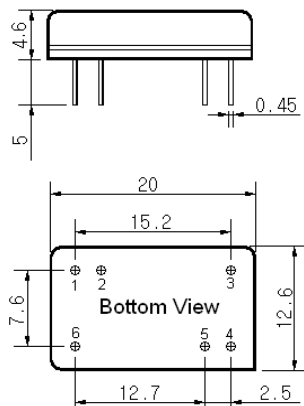
Typical Performance



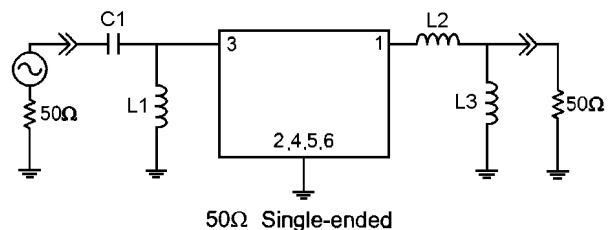
Specification

Parameter	Unit	Min.	Typ.	Max.
Center Frequency	MHz	139.80	140.00	140.20
Insertion Loss	dB	-	32.50	34.00
3dB Bandwidth	MHz	70.35	70.53	-
15dB Bandwidth	MHz	-	72.03	-
40dB Bandwidth	MHz	-	73.30	74.00
Attenuation	dB	40	46	-
Amplitude Ripple	dB	-	0.75	1.50
Group Delay Variation	nsec	-	20	50
Absolute Delay	µsec	-	1.45	-
Substrate Material & T.C.F	ppm/°C	128LN & -72		
Package	mm	20 X 12 (DIP)		

Package Dimension



Matching Configuration



L1=47nH, L2=56nH, L3=100nH, C1=39pF
 Source / Load Impedance = 50Ω
 Ambient Temperature = 25°C

Rev0. 130614

