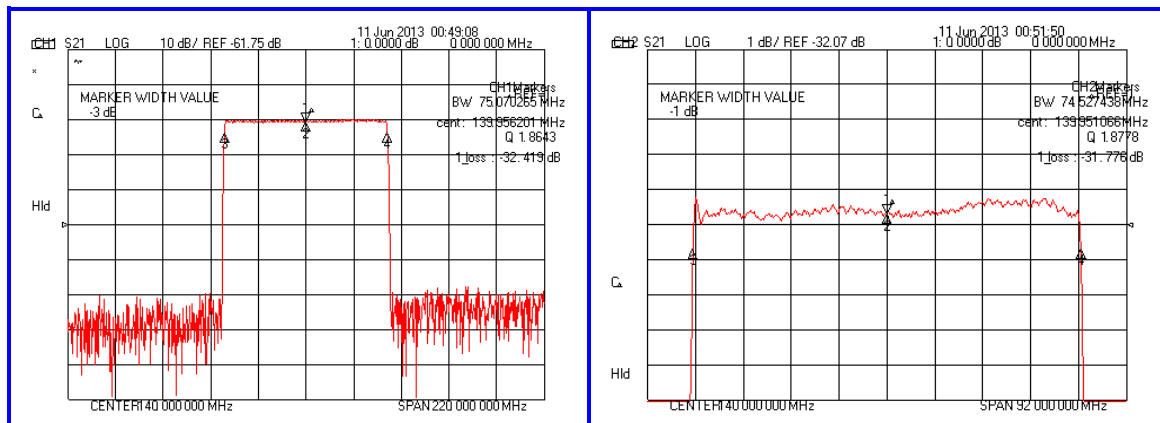


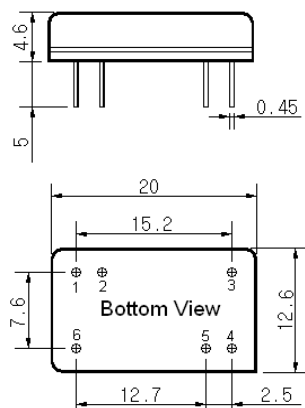
#### Typical Performance



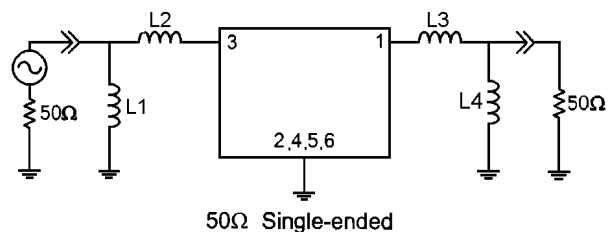
#### Specification

Parameter	Unit	Min.	Typ.	Max.
Center Frequency	MHz	139.80	140.00	140.20
Insertion Loss	dB	-	32.50	34.50
3dB Bandwidth	MHz	74.80	75.07	-
10dB Bandwidth	MHz	-	76.00	-
40dB Bandwidth	MHz	-	77.70	78.30
Attenuation	dB	40	46	-
Amplitude Ripple	dB	-	0.70	1.50
Group Delay Variation	nsec	-	20	50
Absolute Delay	µsec	-	1.45	-
Substrate Material & T.C.F	ppm/°C	128LN & -72		
Package	mm	20 X 12 (DIP)		

#### Package Dimension



#### Matching Configuration



L1=68nH, L2=39nH, L3=33nH, L4=100nH  
 Source / Load Impedance = 50Ω  
 Ambient Temperature = 25°C

Rev0. 130614

