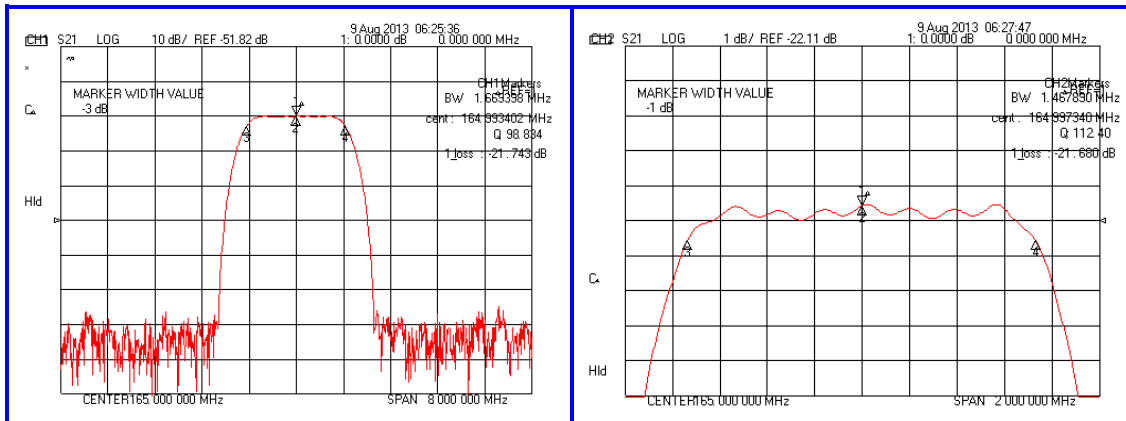


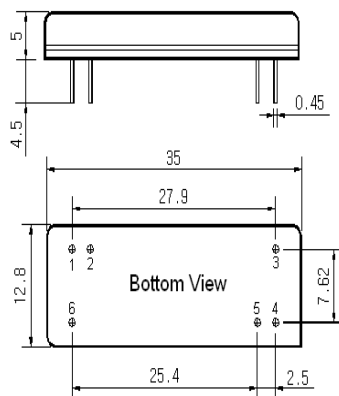
Typical Performance



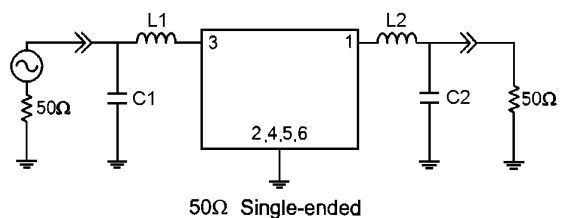
Specification

Parameter	Unit	Min.	Typ.	Max.
Center Frequency	MHz	164.85	165.00	165.15
Insertion Loss	dB	-	22.00	24.00
1dB Bandwidth	MHz	1.35	1.46	-
3dB Bandwidth	MHz	-	1.66	-
40dB Bandwidth	MHz	-	2.52	2.70
Attenuation	dB	50	55	-
Amplitude Ripple	dB	-	0.50	1.00
Absolute Delay	µsec	-	2.71	-
Group Delay Variation	nsec	-	200	300
Substrate Material & T.C.F	ppm/°C	Quartz & -0.032		
Package	mm	35 X12 (DIP)		

Package Dimension



Matching Configuration



L1=18nH, L2=18nH, C1=68pF, C2=68pF
 Source / Load Impedance = 50Ω
 Ambient Temperature = 25°C

Rev0. 130812

