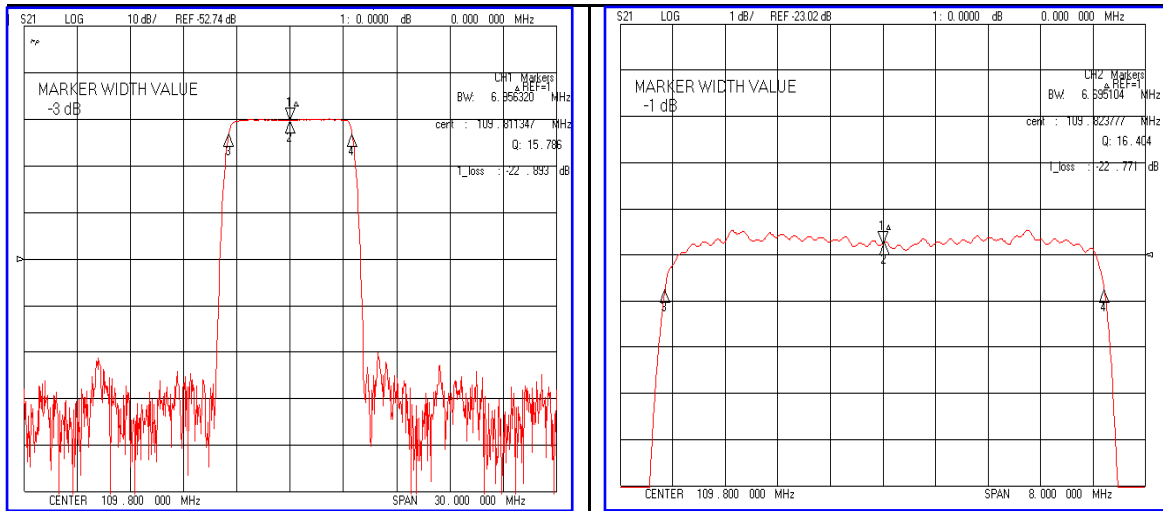


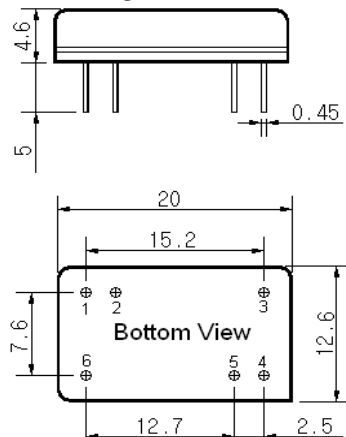
Typical Performance



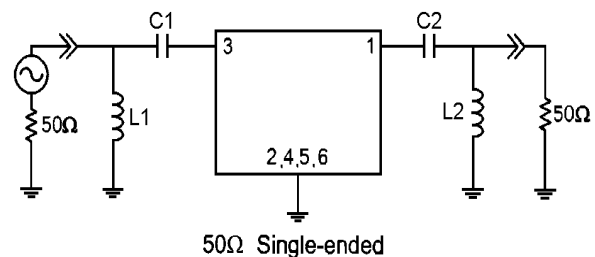
Specification

Parameter	Unit	Min.	Typ.	Max.
Center Frequency	MHz	109.70	109.80	109.90
Insertion Loss	dB	-	22.80	24.50
1dB Bandwidth	MHz	6.50	6.69	-
3dB Bandwidth	MHz	-	6.95	-
40dB Bandwidth	MHz	-	8.09	8.20
Passband Ripple	dB	-	0.50	1.00
Group Delay Variation	nsec	-	100	200
Ultimate Attenuation	dB	48	52	-
Absolute Delay	µsec	-	2.55	-
Substrate Material	-	112-LiTaO ₃		
Temperature Coefficient	ppm/°C	-20		

Package Dimension



Matching Configuration



L1=22nH, L2=27nH, C1=200pF, C2=150pF
 Source / Load Impedance = 50Ω
 Ambient Temperature = 25°C

Rev 0. 131001

