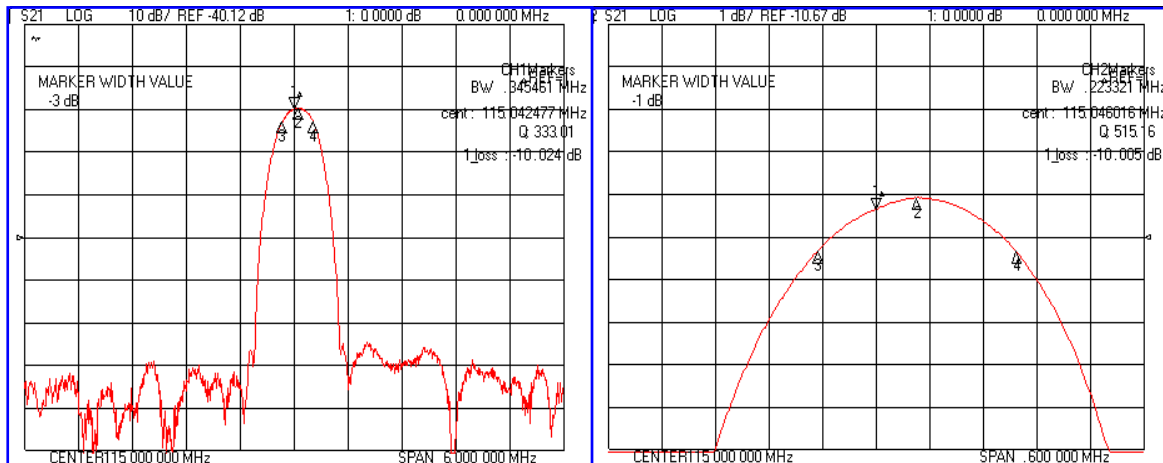


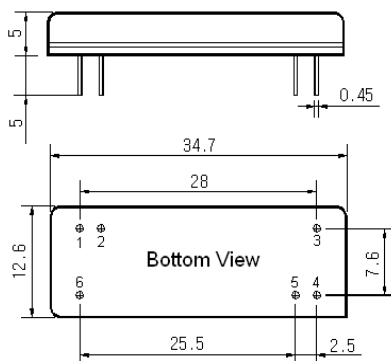
Typical Performance



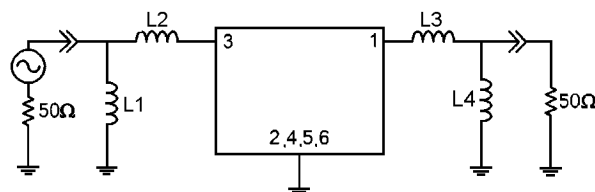
Specification

Parameter	Unit	Min.	Typ.	Max.
Center Frequency	MHz	114.90	115.00	115.10
Insertion Loss	dB	-	10.00	12.00
1dB Bandwidth	MHz	0.16	0.22	-
3dB Bandwidth	MHz	-	0.34	-
40dB Bandwidth	MHz	-	0.88	1.00
Relative Attenuation				
$\Delta FC \pm 100\text{KHz} \pm 400\text{KHz}$	dB	35	45	-
$\Delta FC \pm 100\text{KHz} \pm 600\text{KHz}$	dB	45	55	-
$\Delta FC \pm 100\text{KHz} \pm 1000\text{KHz}$	dB	45	55	-
Passband Ripple	dB	-	0.40	1.00
Group Delay Variation	nsec	-	150	250
Absolute Delay	usec	-	3.85	-
Ultimate Attenuation	dB	50	55	-
Substrate Material	-	Quartz		
Temperature Coefficient	ppm/°C	-0.03		

Package Dimension



Matching Configuration



50Ω Single-ended

L1=27nH, L2=18nH, L3=6.8nH, L4=33nH

Source / Load Impedance = 50Ω

Ambient Temperature = 25°C

Rev.0 131112

