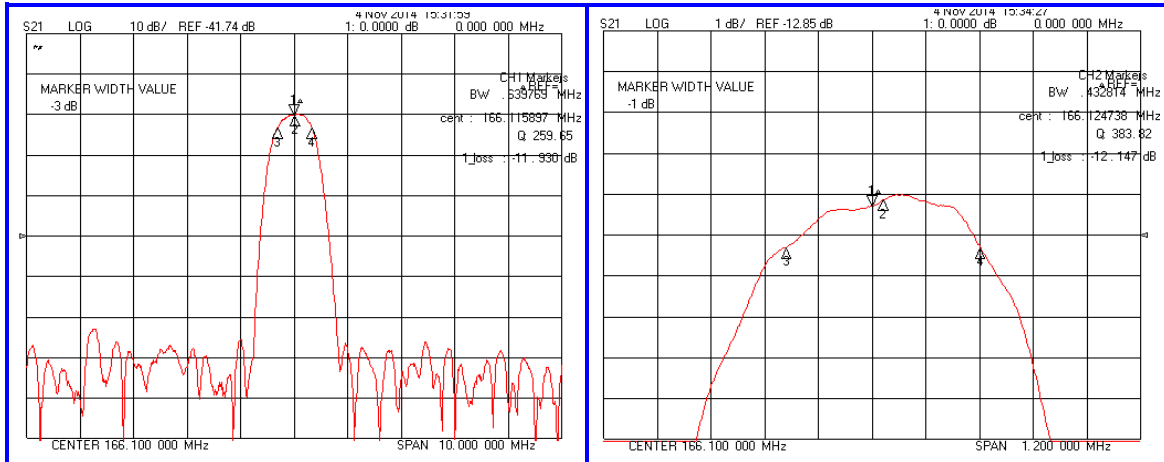


Typical Performance

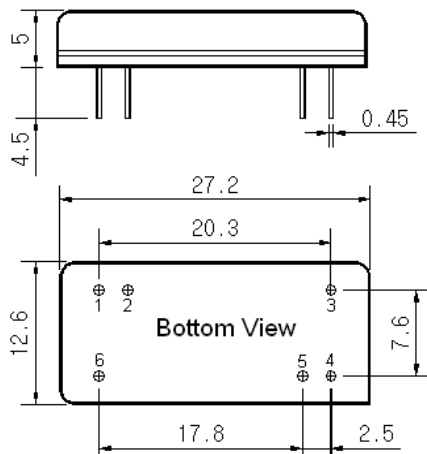


Specification

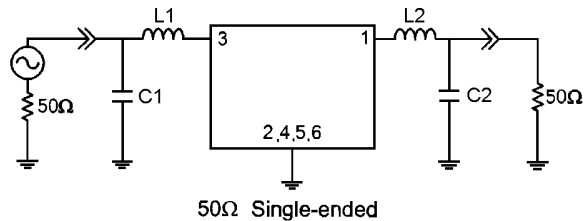
Parameter	Unit	Min.	Typ.	Max.
Center Frequency	MHz	166.00	166.10	166.20
Insertion Loss	dB	-	12.00	14.00
1dB Bandwidth	MHz	0.30	0.43	-
3dB Bandwidth	MHz	0.55	0.63	-
40dB Bandwidth	MHz	-	1.40	1.60
Passband Ripple	dB	-	0.45	1.00
Group Delay Variation	nsec	-	200	400
Absolute Delay	µsec	-	3.34	-
Ultimate Attenuation	dB	48	53	-
Substrate Material	-	Quartz		
Temperature Coefficient	ppm/°C	-0.03		

Input Power : + 10dBm

Package Dimension



Matching Configuration



L1=27nH, L2=22nH, C1=68pF, C2=68pF
 Source / Load Impedance = 50Ω
 Ambient Temperature = 25°C

Rev.0 141104

