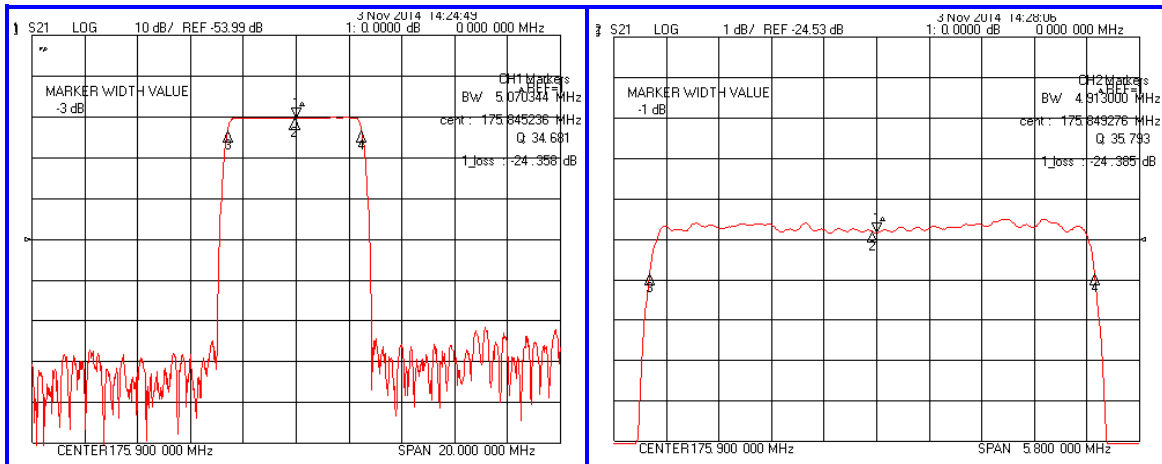


### Typical Performance

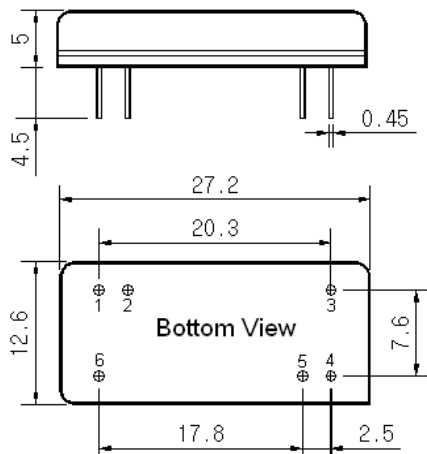


### Specification

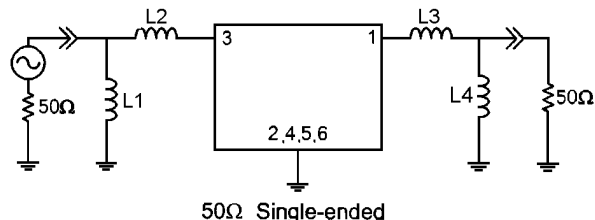
Parameter	Unit	Min.	Typ.	Max.
Center Frequency	MHz	175.80	175.90	176.00
Insertion Loss	dB	-	24.50	26.50
1dB Bandwidth	MHz	4.70	4.91	-
3dB Bandwidth	MHz	4.95	5.07	-
40dB Bandwidth	MHz	-	5.78	5.95
Passband Ripple	dB	-	0.40	1.00
Group Delay Variation	nsec	-	100	200
Absolute Delay	µsec	-	2.87	-
Ultimate Attenuation	dB	48	53	-
Substrate Material	-	<b>Quartz</b>		
Temperature Coefficient	ppm/°C	-0.03		

**Input Power : + 10dBm**

### Package Dimension



### Matching Configuration



L1=10nH, L2=3.9nH, L3=2.2nH, L4=15nH  
 Source / Load Impedance = 50Ω  
 Ambient Temperature = 25°C

Rev.0 141105

