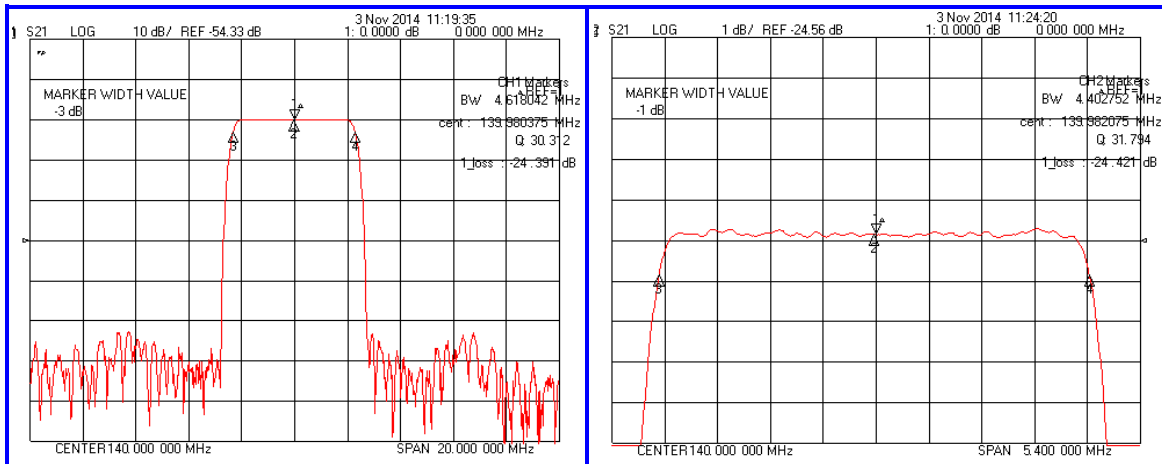


Typical Performance

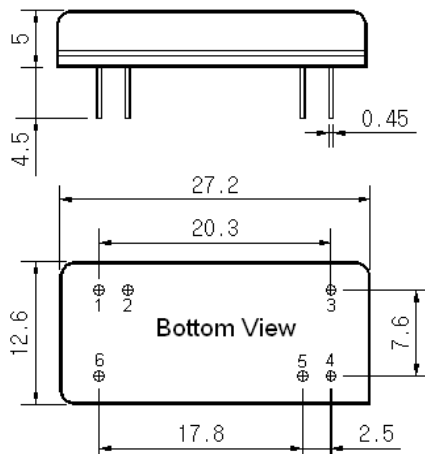


Specification

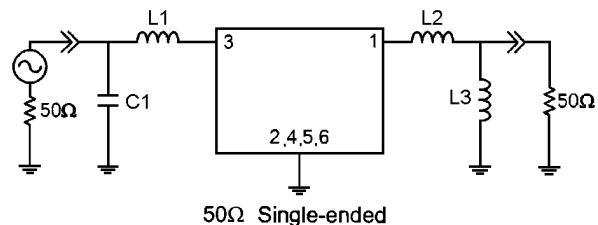
Parameter	Unit	Min.	Typ.	Max.
Center Frequency	MHz	139.90	140.00	140.10
Insertion Loss	dB	-	24.50	26.50
1dB Bandwidth	MHz	4.30	4.40	-
3dB Bandwidth	MHz	4.55	4.61	-
40dB Bandwidth	MHz	-	5.42	5.55
Passband Ripple	dB	-	0.40	1.00
Group Delay Variation	nsec	-	100	200
Absolute Delay	µsec	-	2.87	-
Ultimate Attenuation	dB	48	53	-
Substrate Material	-	Quartz		
Temperature Coefficient	ppm/°C	-0.03		

Input Power : + 10dBm

Package Dimension



Matching Configuration



L1=56nH, L2=27nH, L3=22nH, C1=62pF
 Source / Load Impedance = 50Ω
 Ambient Temperature = 25°C

Rev.0 141105

