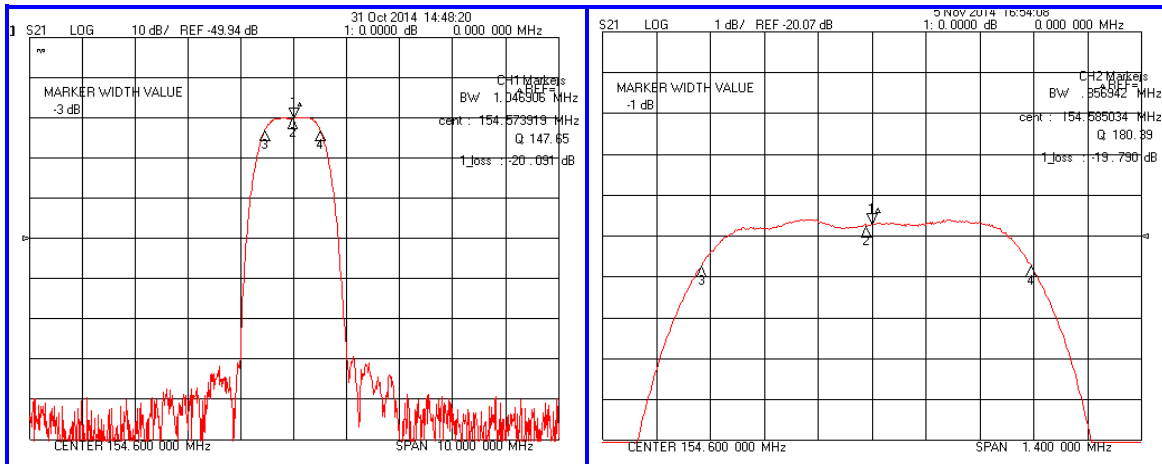


### Typical Performance

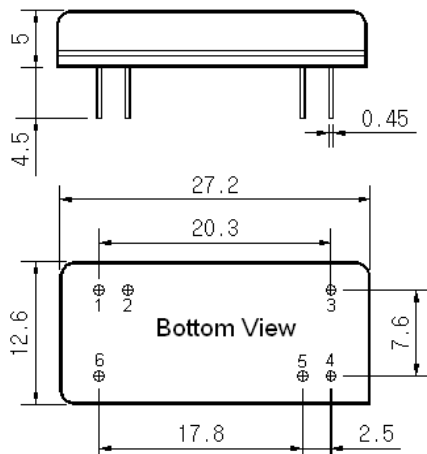


### Specification

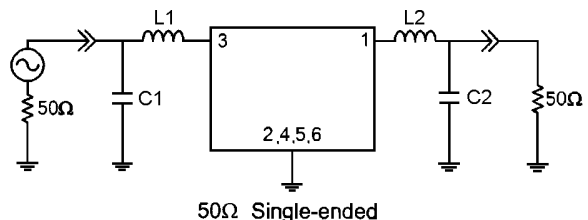
Parameter	Unit	Min.	Typ.	Max.
Center Frequency	MHz	154.50	154.60	154.70
Insertion Loss	dB	-	20.00	22.00
1dB Bandwidth	MHz	0.75	0.82	-
3dB Bandwidth	MHz	0.95	1.04	-
40dB Bandwidth	MHz	-	1.84	1.95
Passband Ripple	dB	-	0.40	1.00
Group Delay Variation	nsec	-	150	300
Absolute Delay	µsec	-	2.8	-
Ultimate Attenuation	dB	48	53	-
Substrate Material	-	<b>Quartz</b>		
Temperature Coefficient	ppm/°C	-0.03		

**Input Power : + 10dBm**

### Package Dimension



### Matching Configuration



L1=22nH, L2=22nH, C1=36pF, C2=36pF  
 Source / Load Impedance = 50Ω  
 Ambient Temperature = 25°C

Rev.0 141105

