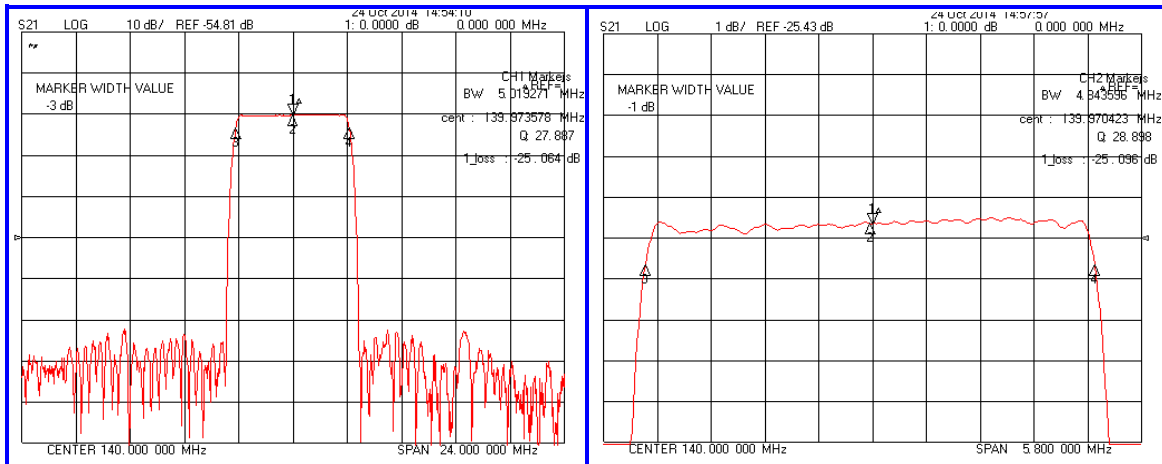


### Typical Performance

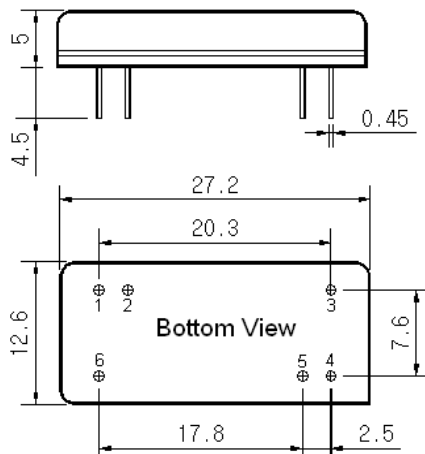


### Specification

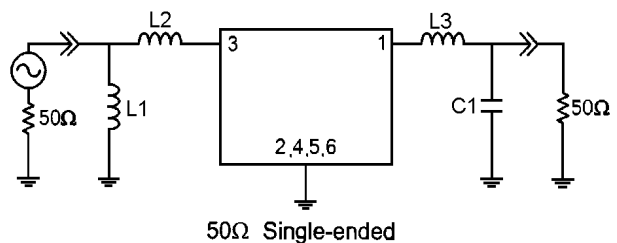
Parameter	Unit	Min.	Typ.	Max.
Center Frequency	MHz	139.90	140.00	140.10
Insertion Loss	dB	-	25.00	27.00
1dB Bandwidth	MHz	4.65	4.84	-
3dB Bandwidth	MHz	4.95	5.02	-
40dB Bandwidth	MHz	-	5.78	5.95
Passband Ripple	dB	-	0.40	1.00
Group Delay Variation	nsec	-	100	200
Absolute Delay	µsec	-	2.92	-
Ultimate Attenuation	dB	48	53	-
Substrate Material	-	<b>Quartz</b>		
Temperature Coefficient	ppm/°C	-0.03		

**Input Power : + 10dBm**

### Package Dimension



### Matching Configuration



L1=18nH, L2=22nH, L3=56nH, C1=56pF  
 Source / Load Impedance = 50Ω  
 Ambient Temperature = 25°C

Rev.0 141029

