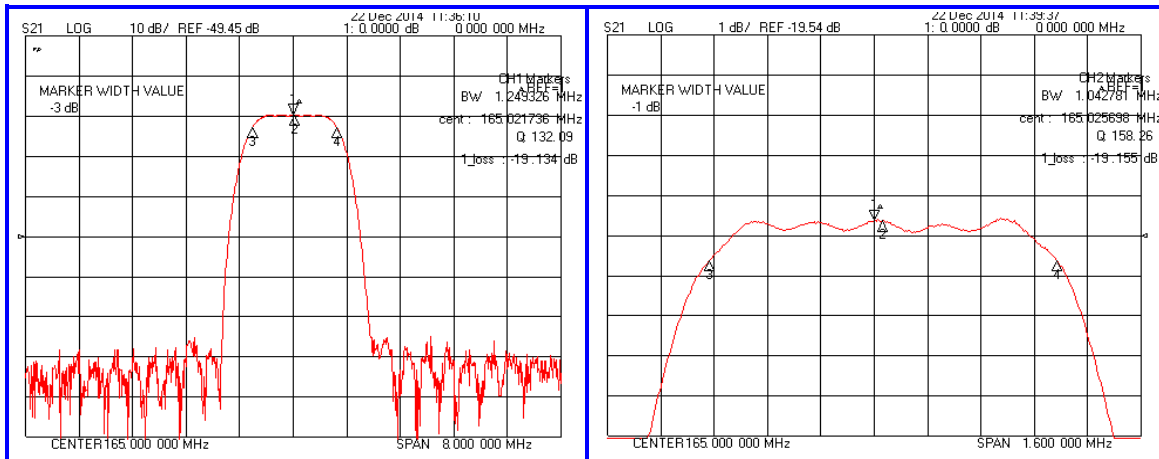


Typical Performance

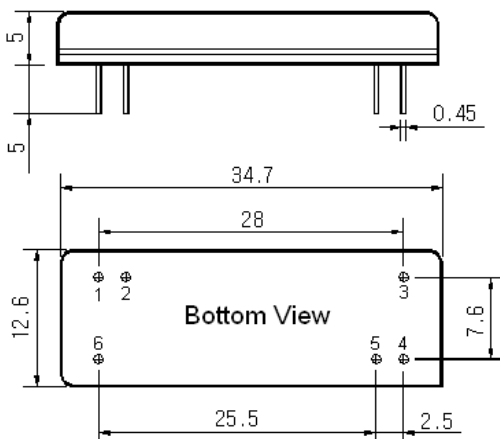


Specification

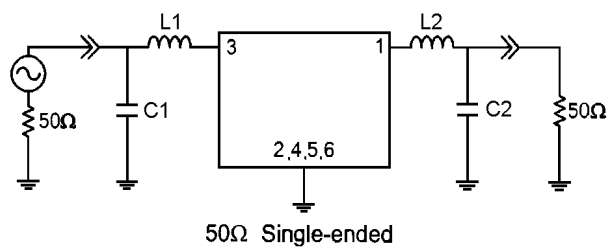
Parameter	Unit	Min.	Typ.	Max.
Center Frequency	MHz	164.90	165.00	165.10
Insertion Loss	dB	-	19.50	21.50
1dB Bandwidth	MHz	-	1.04	-
3dB Bandwidth	MHz	1.10	1.24	-
40dB Bandwidth	MHz	-	2.07	2.20
Passband Ripple	dB	-	0.50	1.00
Group Delay Variation	nsec	-	200	300
Absolute Delay	µsec	-	2.62	-
Ultimate Attenuation	dB	50	53	-
Substrate Material	-	Quartz		
Temperature Coefficient	ppm/°C	-0.032		

Input Power : +10dBm

Package Dimension



Matching Configuration



L1=15nH, L2=15nH, C1=68pF, C2=10pF
 Source / Load Impedance = 50Ω
 Ambient Temperature = 25°C

Rev.0 141222

