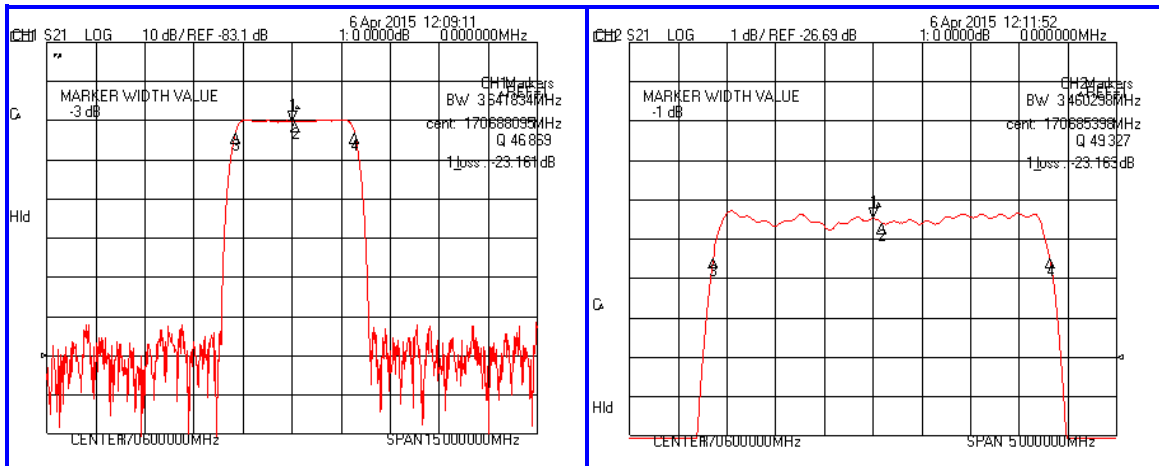


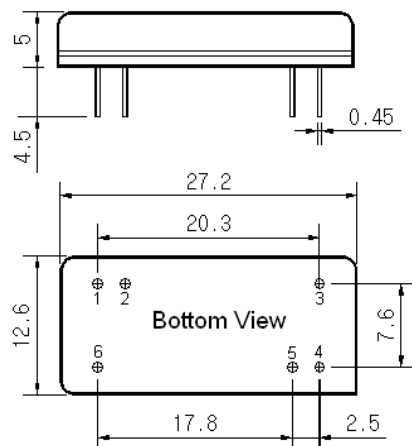
Typical Performance



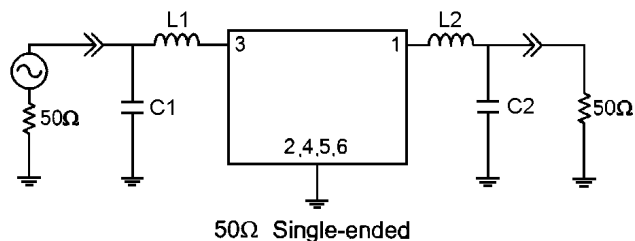
Specification

Parameter	Unit	Min.	Typ.	Max.
Center Frequency	MHz	170.50	170.60	170.70
Insertion Loss	dB	-	23.50	25.50
1dB Bandwidth	MHz	3.35	3.46	-
3dB Bandwidth	MHz	3.55	3.64	-
40dB Bandwidth	MHz	-	4.41	4.50
Passband Ripple	dB	-	0.50	1.00
Group Delay Variation	nsec	-	100	200
Absolute Delay	µsec	-	2.71	-
Ultimate Attenuation	dB	48	53	-
Substrate Material	-	Quartz		
Temperature Coefficient	ppm/°C	-0.03		

Package Dimension



Matching Configuration



L1=27nH, L2=33nH, C1=62pF, C2=47pF
 Source / Load Impedance = 50Ω
 Ambient Temperature = 25°C

Rev.0 150403

