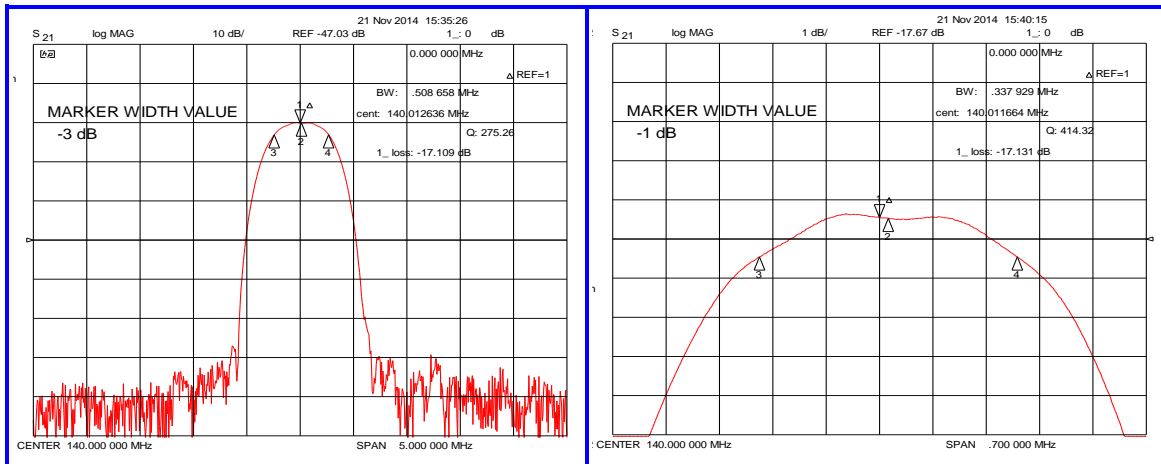


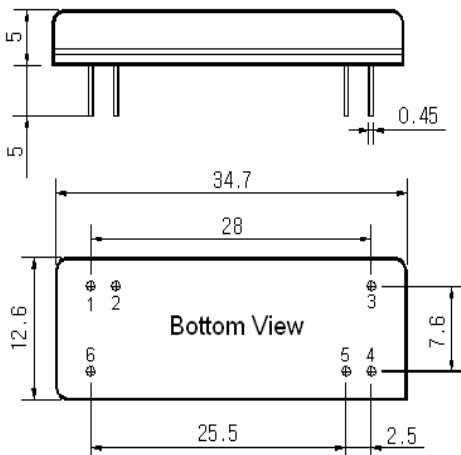
### Typical Performance



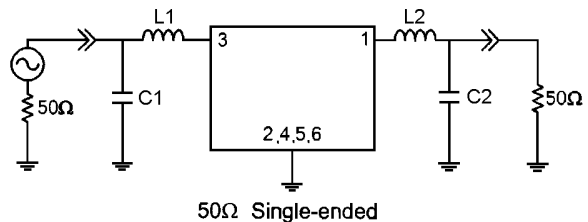
### Specification

Parameter	Unit	Min.	Typ.	Max.
Center Frequency	MHz	139.88	140.00	140.12
Insertion Loss	dB	-	18.00	20.00
1dB Bandwidth	MHz	0.20	0.33	-
3dB Bandwidth	MHz	-	0.50	-
10dB Bandwidth	MHz	-	0.75	0.85
40dB Bandwidth	MHz	-	1.11	1.30
Passband Ripple	dB	-	0.60	1.00
Group Delay Variation	nsec	-	300	500
Absolute Delay	µsec	-	3.27	-
Ultimate Attenuation	dB	50	55	
Substrate Material	-	Quartz		
Temperature Coefficient	ppm/°C <sup>2</sup>	-0.03		

### Package Dimension



### Matching Configuration



L1=15nH, L2=18nH, C1=39pF, C2=47pF  
 Source / Load Impedance = 50Ω  
 Ambient Temperature = 25°C

Rev0. 141124

