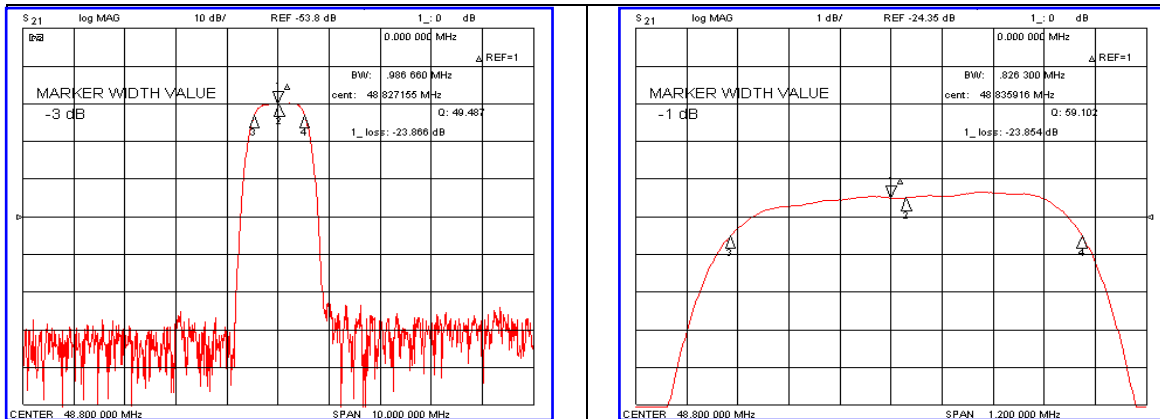


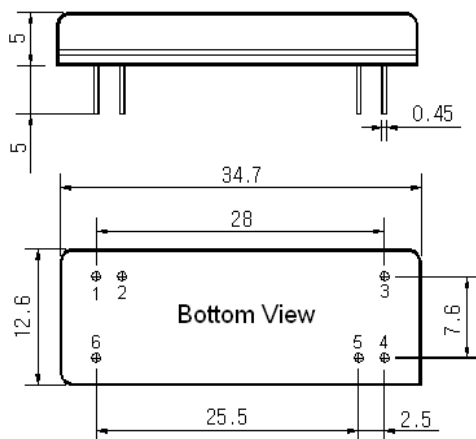
## Typical Performance



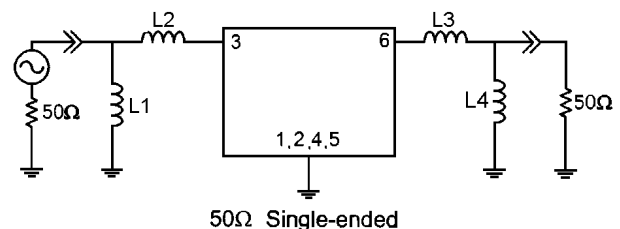
## Specification

Parameter	Unit	Min.	Typ.	Max.
Center Frequency	MHz	48.72	48.80	48.88
Insertion Loss	dB	-	24.00	26.00
1dB Bandwidth	MHz	0.75	0.82	-
3dB Bandwidth	MHz	-	0.98	-
20dB Bandwidth	MHz	-	1.40	1.50
40dB Bandwidth	MHz	-	1.60	1.70
Passband Ripple	dB	-	0.55	1.00
Group Delay Variation	nsec	-	120	200
Absolute Delay	μsec	-	4.00	-
Ultimate Attenuation	dB	48	52	-
Substrate Material	-	Quartz		
Temperature Coefficient	ppm/°C	-0.03		

## Package Dimension



## Matching Configuration



L1=150nH, L2=270nH, L3=220nH, L4=150nH  
 Source / Load Impedance = 50Ω  
 Ambient Temperature = 25°C

Rev0. 090518

