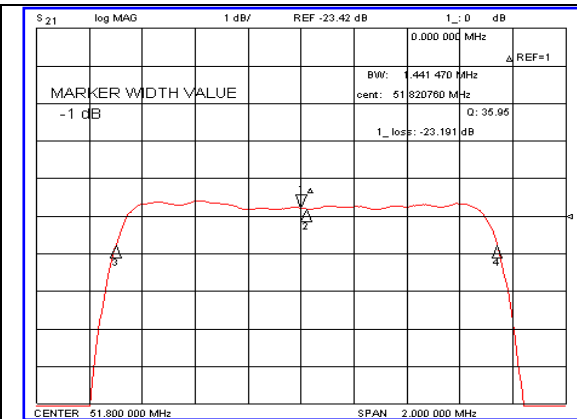
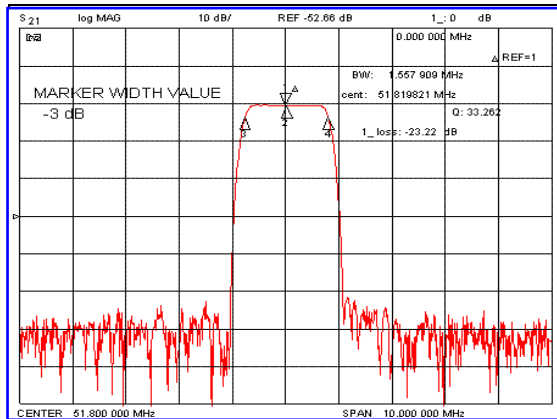


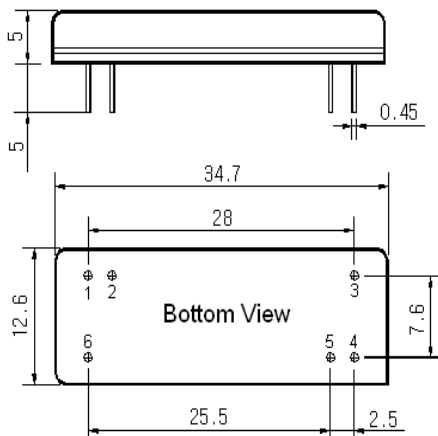
Typical Performance



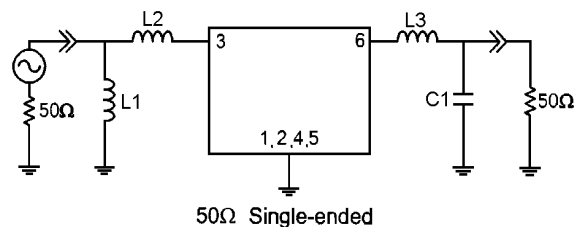
Specification

| Parameter | Unit | Min. | Typ. | Max. |
|-------------------------|--------|--------|-------|-------|
| Center Frequency | MHz | 51.72 | 51.80 | 51.88 |
| Insertion Loss | dB | - | 24.38 | 26.00 |
| 1dB Bandwidth | MHz | - | 1.44 | - |
| 3dB Bandwidth | MHz | 1.50 | 1.55 | - |
| 20dB Bandwidth | MHz | - | 1.90 | 2.00 |
| 50dB Bandwidth | MHz | - | 2.12 | - |
| Passband Ripple | dB | - | 0.30 | 1.00 |
| Group Delay Variation | nsec | - | 100 | 200 |
| Absolute Delay | μsec | - | 4.10 | - |
| Ultimate Attenuation | dB | 48 | 52 | - |
| Substrate Material | - | Quartz | | |
| Temperature Coefficient | ppm/°C | -0.03 | | |

Package Dimension



Matching Configuration



L1=L2=330nH, L3=390nH, C1=120pF
 Source / Load Impedance = 50Ω
 Ambient Temperature = 25°C

Rev0. 071130

