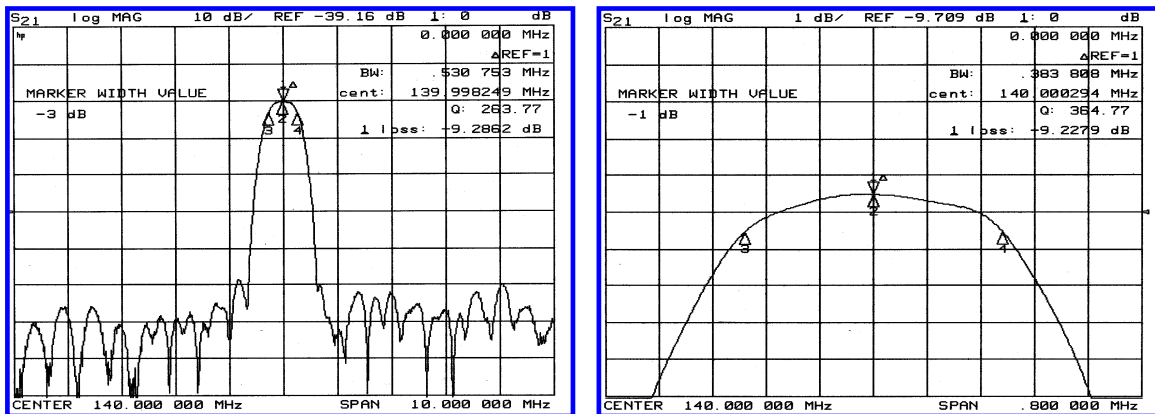


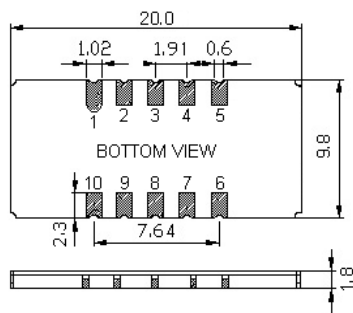
Typical Performance



Specification

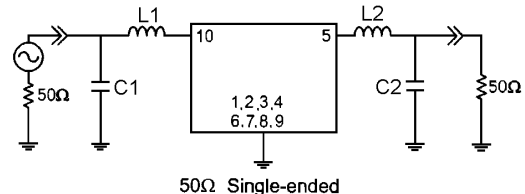
Parameter	Unit	Min.	Typ.	Max.
Center Frequency	Mhz	139.90	140.00	140.10
Insertion Loss	dB	-	9.50	11.00
1dB Bandwidth	Mhz	0.30	0.38	-
3dB Bandwidth	Mhz	0.45	0.53	-
30dB Bandwidth	Mhz	-	1.10	1.25
40dB Bandwidth	Mhz	-	1.19	-
Passband Ripple (Fo±0.125Mhz)	dB	-	0.45	0.80
Group Delay Variation	nsec	-	200	300
Absolute Delay	µsec	-	1.7	-
Ultimate Attenuation	dB	40	50	-
Substrate Material	-	Quartz		
Temperature Coefficient	ppm/°C ²	-0.03		

Package Dimension



10: Input, 1: In-Gnd
 5: Output, 6: Out-Gnd
 2,3,4,7,8,9: Case Gnd

Matching Configuration



L1= L2 = C1 = C2 = T.B.D
 Source / Load Impedance = 50Ω
 Ambient Temperature = 25°C

12/29/2004

