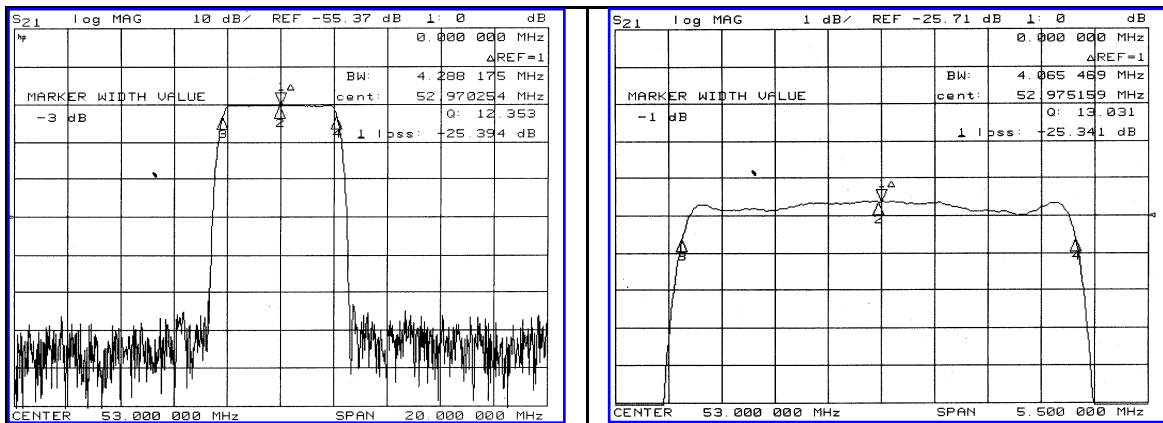


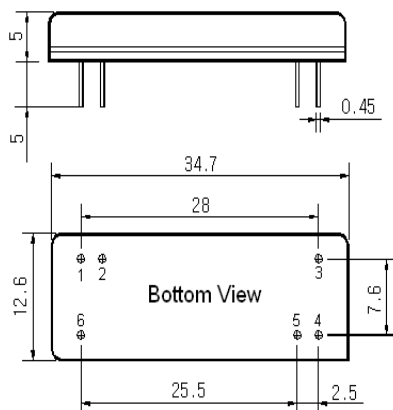
Typical Performance



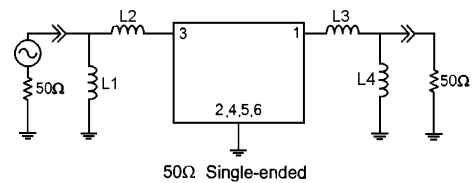
Specification

Parameter	Unit	Min.	Typ.	Max.
Center Frequency	MHz	52.92	53.00	53.08
Insertion Loss	dB	-	25.50	27.00
1dB Bandwidth	MHz	-	4.07	-
3dB Bandwidth	MHz	4.18	4.28	-
40dB Bandwidth	MHz	-	5.13	5.25
Passband Ripple	dB	-	0.55	1.00
Group Delay Variation	nsec	-	50	100
Absolute Delay	μsec	-	5.21	-
Ultimate Attenuation	dB	50	55	-
Substrate Material	-	LiTaO ₃		
Temperature Coefficient	ppm/°C	-20		

Package Dimension



Matching Configuration



L1=270nH, L2=L3=100nH, L4=270nH
 Source / Load Impedance = 50Ω
 Ambient Temperature = 25°C

01/11/2006

