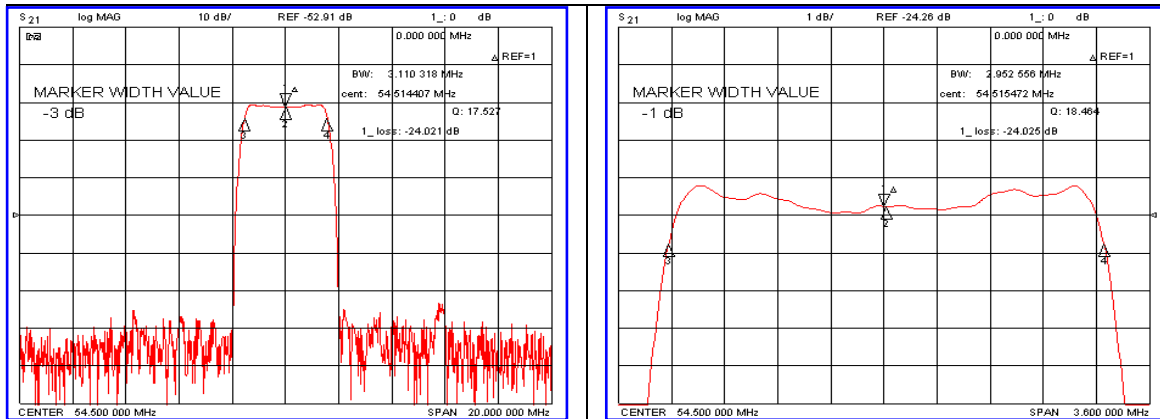


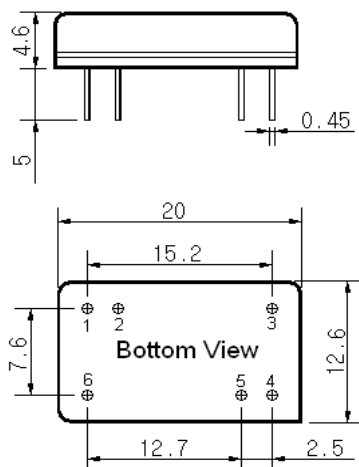
### Typical Performance



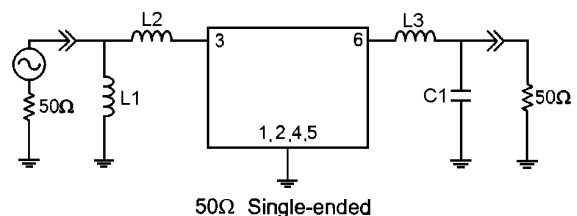
### Specification

Parameter	Unit	Min.	Typ.	Max.
Center Frequency	MHz	54.42	54.50	54.58
Insertion Loss	dB	-	24.02	26.00
1dB Bandwidth	MHz	-	2.95	-
3dB Bandwidth	MHz	3.00	3.11	-
50dB Bandwidth	MHz	-	3.95	4.20
Passband Ripple( $F_c \pm 1.23$ MHz)	dB	-	0.74	1.00
Group Delay Variation( $F_c \pm 1.23$ MHz)	nsec	-	65	100
Absolute Delay	$\mu$ sec	-	2.61	-
Ultimate Attenuation	dB	48	52	-
Substrate Material	-	Quartz		
Temperature Coefficient	ppm/ $^{\circ}$ C	-0.03		

### Package Dimension



### Matching Configuration



L1=82nH, L2=270nH, L3=390nH, C1=110pF  
 Source / Load Impedance = 50Ω  
 Ambient Temperature = 25°C

Rev0.070808

