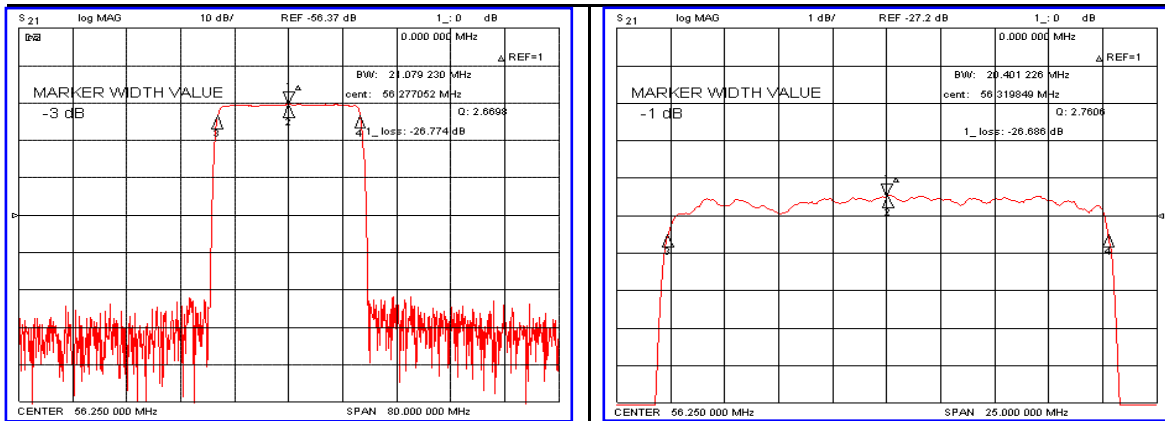


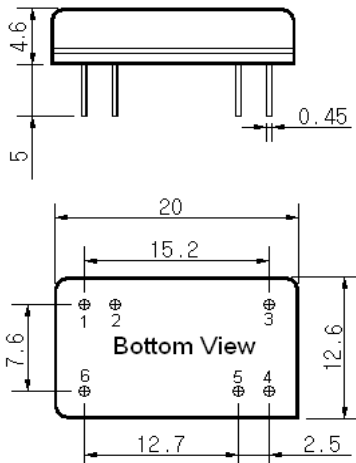
### Typical Performance



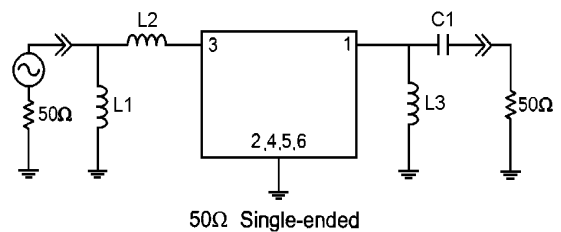
### Specification

Parameter	Unit	Min.	Typ.	Max.
Center Frequency (Fc)	MHz	56.17	56.25	56.33
Insertion Loss	dB	-	26.80	28.00
1dB Bandwidth	MHz	-	20.40	-
3dB Bandwidth	MHz	20.80	21.07	-
40dB Bandwidth	MHz	-	23.17	23.50
Passband Ripple	dB	-	0.55	1.00
Group Delay Variation	nsec	-	30	80
Absolute Delay	µsec	-	1.86	-
Ultimate Attenuation	dB	50	55	-
Substrate Material	-	128-LiNbO <sub>3</sub>		
Temperature Coefficient	ppm/°C	-72		

### Package Dimension



### Matching Configuration



L1=270nH, L2=L3=220nH, C1=43pF  
 Source / Load Impedance = 50Ω  
 Ambient Temperature = 25°C

09/11/2006

