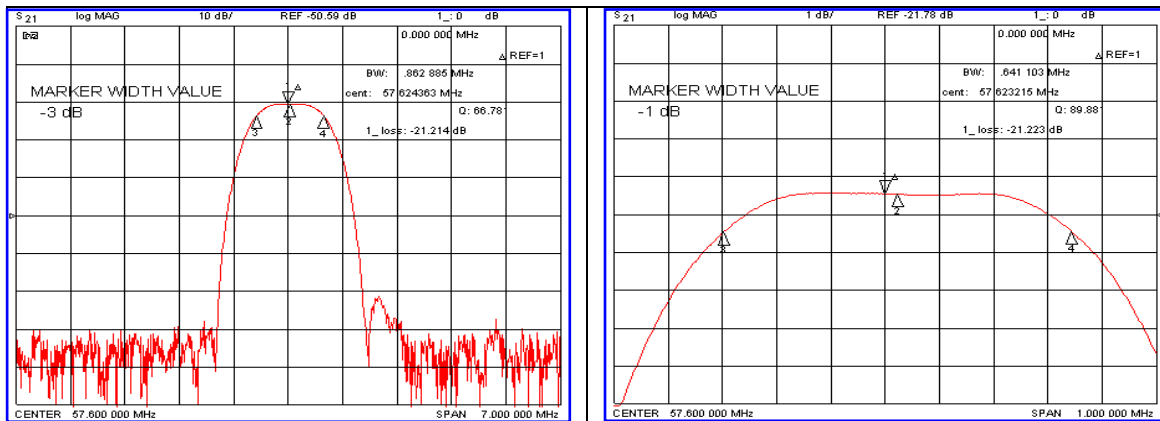


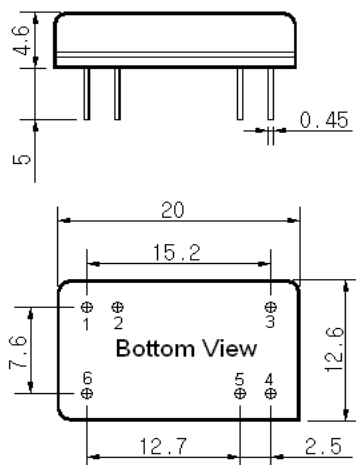
Typical Performance



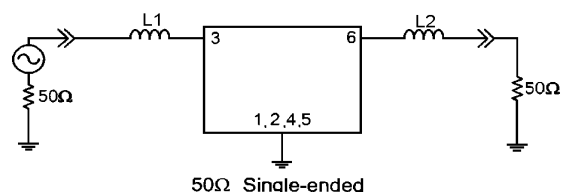
Specification

Parameter	Unit	Min.	Typ.	Max.
Center Frequency	MHz	57.52	57.60	57.68
Insertion Loss	dB	-	21.50	23.00
1dB Bandwidth	MHz	-	0.64	-
3dB Bandwidth	MHz	0.80	0.86	-
40dB Bandwidth	MHz	-	1.76	1.85
Passband Ripple	dB	-	0.4	0.8
Group Delay Variation	nsec	-	65	120
Absolute Delay	µsec	-	2.35	-
Ultimate Attenuation	dB	45	50	-
Substrate Material	-	Quartz		
Temperature Coefficient	ppm/°C ²	-0.03		

Package Dimension



Matching Configuration



L1=390nH, L2=270nH
 Source / Load Impedance = 50Ω
 Ambient Temperature = 25°C

20/06/2007

