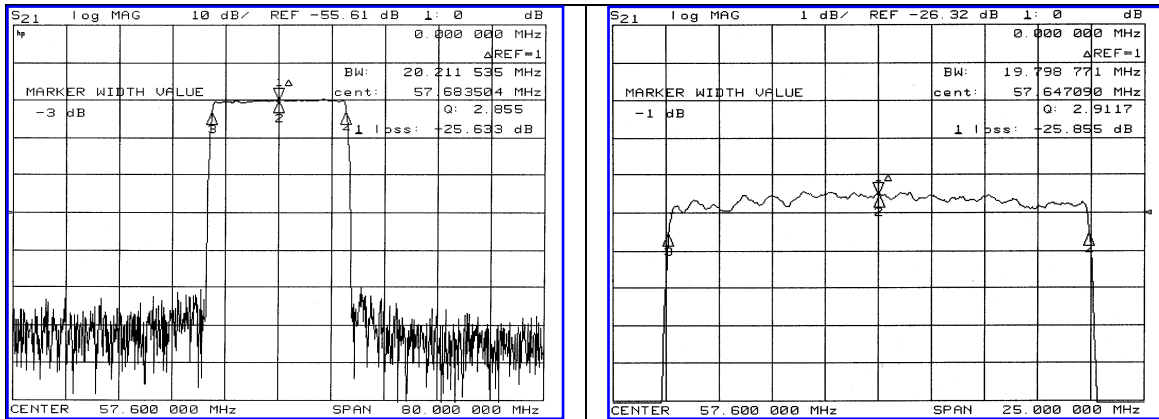


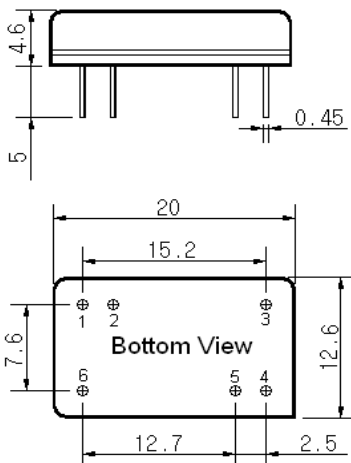
Typical Performance



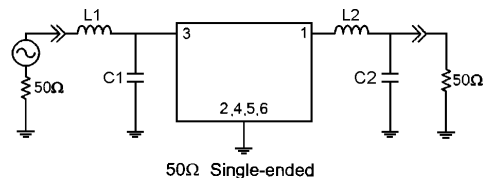
Specification

Parameter	Unit	Min.	Typ.	Max.
Center Frequency	MHz	57.50	57.60	57.70
Insertion Loss	dB	-	26.00	27.50
1dB Bandwidth	MHz	-	19.80	-
3dB Bandwidth	MHz	20.00	20.21	-
40dB Bandwidth	MHz	-	21.73	22.00
Passband Ripple	dB	-	0.65	1.00
Group Delay Variation	nsec	-	30	50
Absolute Delay	µsec	-	2.16	-
Ultimate Attenuation	dB	50	53	-
Substrate Material	-	128-LiNbO ₃		
Temperature Coefficient	ppm/°C	-72		

Package Dimension



Matching Configuration



L1=L2=270nH, C1=10pF, C2=3pF
 Source / Load Impedance = 50Ω
 Ambient Temperature = 25°C

12/05/2005

