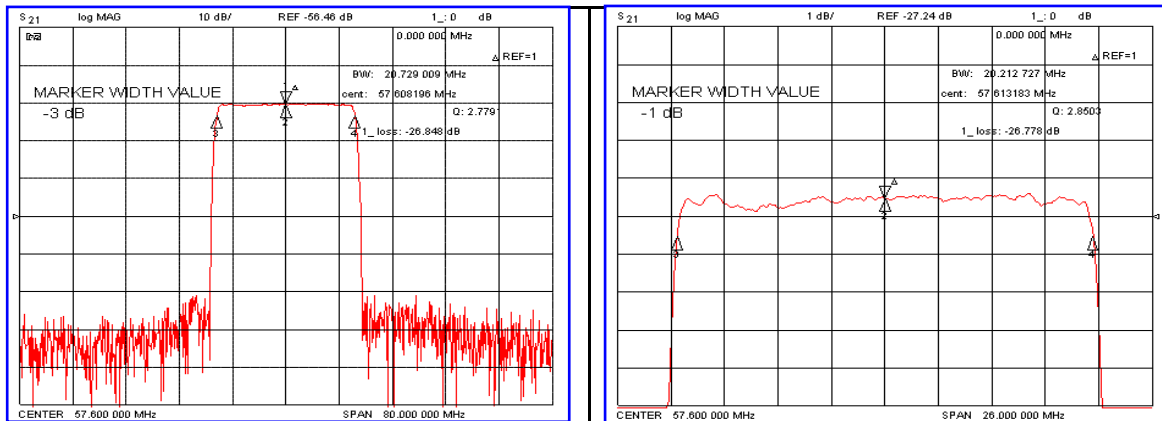


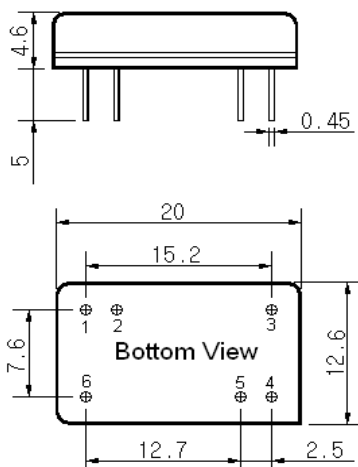
Typical Performance



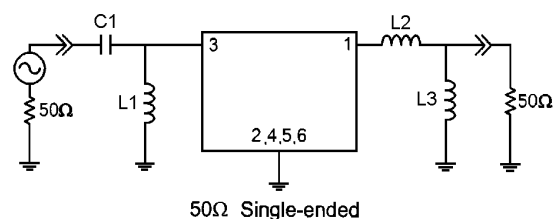
Specification

Parameter	Unit	Min.	Typ.	Max.
Center Frequency (Fc)	MHz	57.52	57.60	57.68
Insertion Loss	dB	-	26.80	28.00
1dB Bandwidth	MHz	-	20.21	-
3dB Bandwidth	MHz	20.50	20.72	-
40dB Bandwidth	MHz	-	22.64	22.90
Passband Ripple	dB	-	0.55	1.00
Group Delay Variation	nsec	-	30	80
Absolute Delay	µsec	-	1.93	-
Ultimate Attenuation	dB	50	55	-
Substrate Material	-	128-LiNbO ₃		
Temperature Coefficient	ppm/°C	-72		

Package Dimension



Matching Configuration



L1=180nH, L2=L3=270nH, C1=36pF
 Source / Load Impedance = 50Ω
 Ambient Temperature = 25°C

08/17/2006

