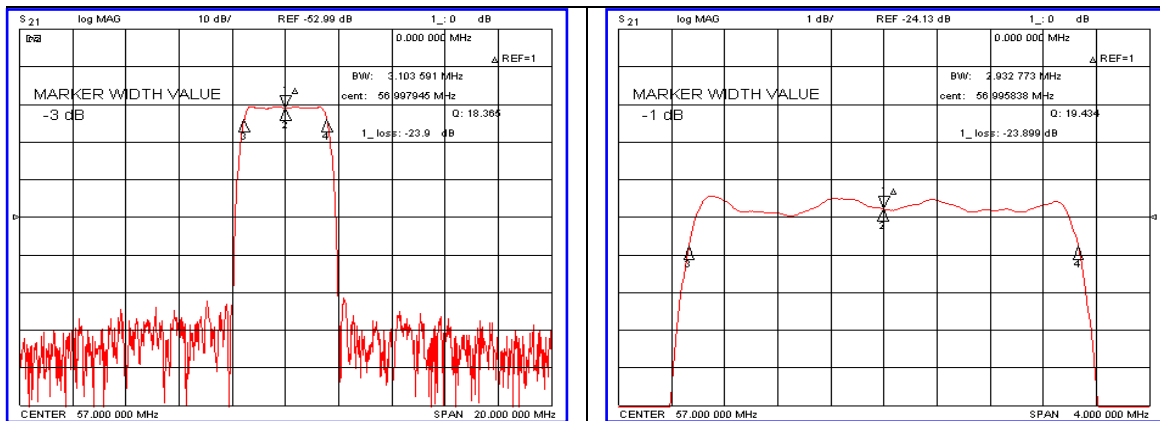


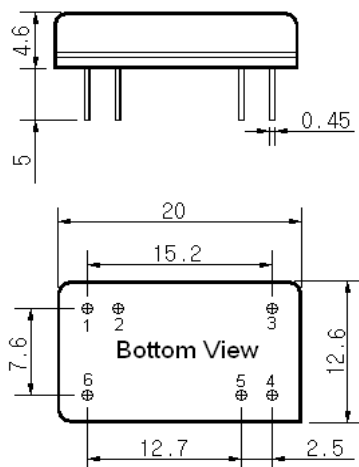
### Typical Performance



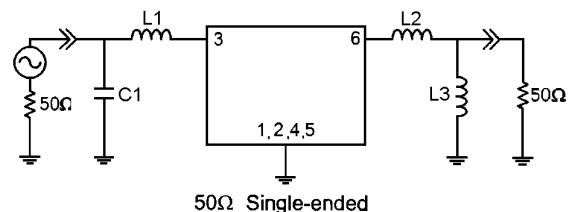
### Specification

Parameter	Unit	Min.	Typ.	Max.
Center Frequency	MHz	56.92	57.00	57.08
Insertion Loss	dB	-	23.90	26.00
1dB Bandwidth	MHz	-	2.93	-
3dB Bandwidth	MHz	3.00	3.10	-
50dB Bandwidth	MHz	-	3.96	4.20
Passband Ripple( $F_c \pm 1.23\text{MHz}$ )	dB	-	0.50	1.00
Group Delay Variation( $F_c \pm 1.23\text{MHz}$ )	nsec	-	100	200
Absolute Delay	$\mu\text{sec}$	-	2.68	-
Ultimate Attenuation	dB	48	52	-
Substrate Material	-	Quartz		
Temperature Coefficient	ppm/ $^{\circ}\text{C}$	-0.03		

### Package Dimension



### Matching Configuration



L1=390nH, L2=270nH, L3=47nH, C1=56pF  
 Source / Load Impedance = 50Ω  
 Ambient Temperature = 25°C

Rev0.070808

