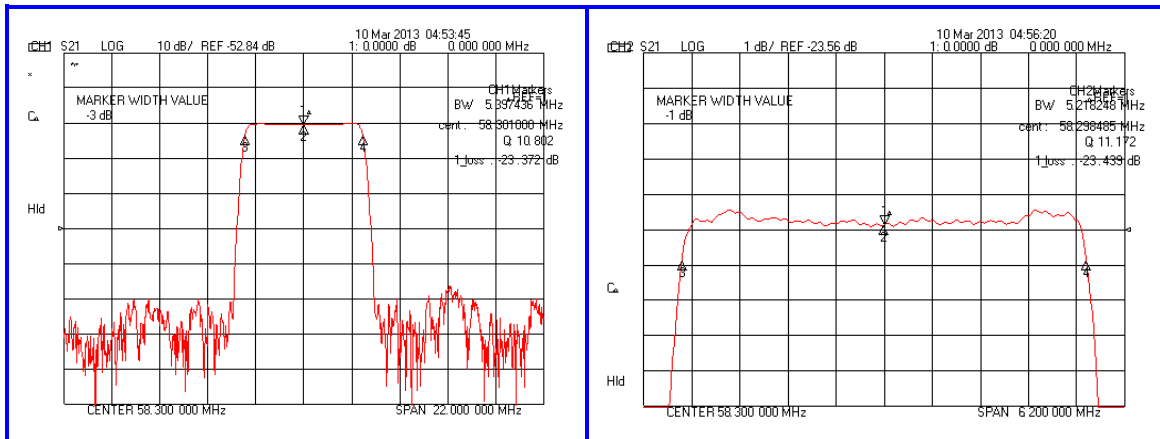


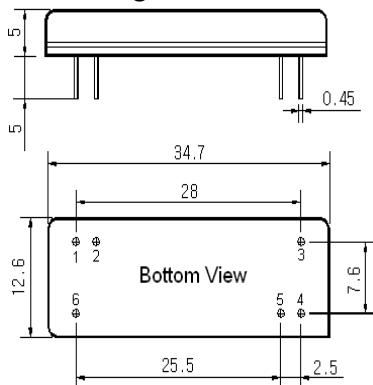
Typical Performance



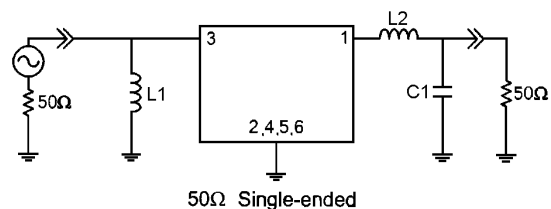
Specification

Parameter	Unit	Min.	Typ.	Max.
Center Frequency	MHz	58.22	58.30	58.38
Insertion Loss	dB	-	23.50	25.50
1dB Bandwidth	MHz	5.10	5.21	-
3dB Bandwidth	MHz	-	5.39	-
40dB Bandwidth	MHz	-	6.35	6.45
Attenuation	dB	43	48	-
Amplitude Ripple	nsec	-	0.50	1.00
Absolute Delay	µsec	-	3.45	-
Group Delay Variation	dB	-	100	200
Substrate Material	-	112-LiTaO ₃		
Temperature Coefficient	ppm/°C	-20		
Package	mm	35*12mm(DIP)		

Package Dimension



Matching Configuration



L1=47nH, L2=100nH, C1=110pF
 Source / Load Impedance = 50Ω
 Ambient Temperature = 25°C

Rev0. 130314

