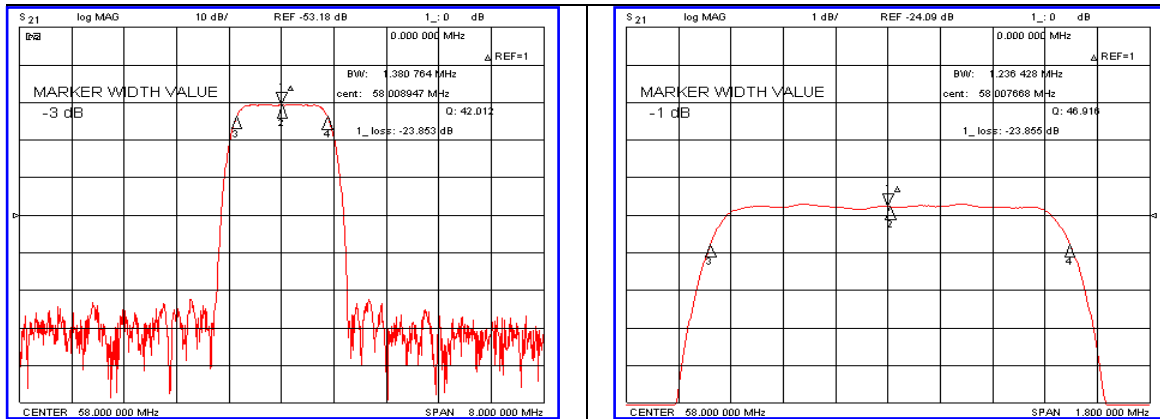


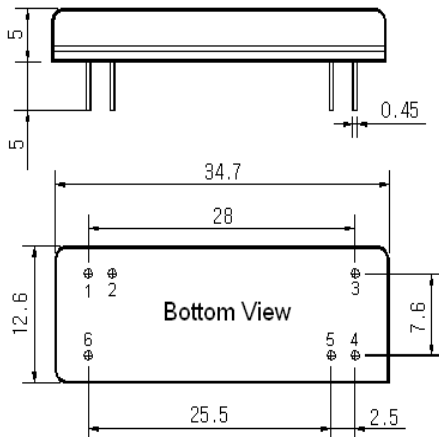
## Typical Performance



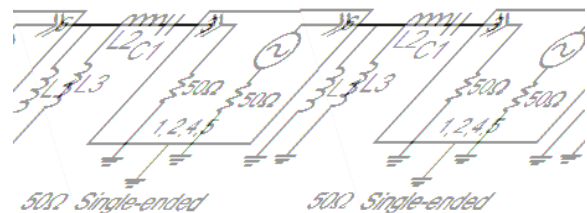
## Specification

Parameter	Unit	Min.	Typ.	Max.
Center Frequency	MHz	57.92	58.00	58.08
Insertion Loss	dB	-	23.85	25.50
1dB Bandwidth	MHz	-	1.23	-
3dB Bandwidth	MHz	1.30	1.38	-
20dB Bandwidth	MHz	-	1.77	-
40dB Bandwidth	MHz	-	1.94	2.05
Passband Ripple	dB	-	0.35	1.00
Group Delay Variation	nsec	-	100	150
Absolute Delay	μsec	-	3.66	-
Ultimate Attenuation	dB	48	52	-
Substrate Material	-	Quartz		
Temperature Coefficient	ppm/°C	-0.03		

## Package Dimension



## Matching Configuration



L1=120nH, L2=220nH, L3=180nH, C1=27pF  
 Source / Load Impedance = 50Ω  
 Ambient Temperature = 25°C

Rev0. 071005

