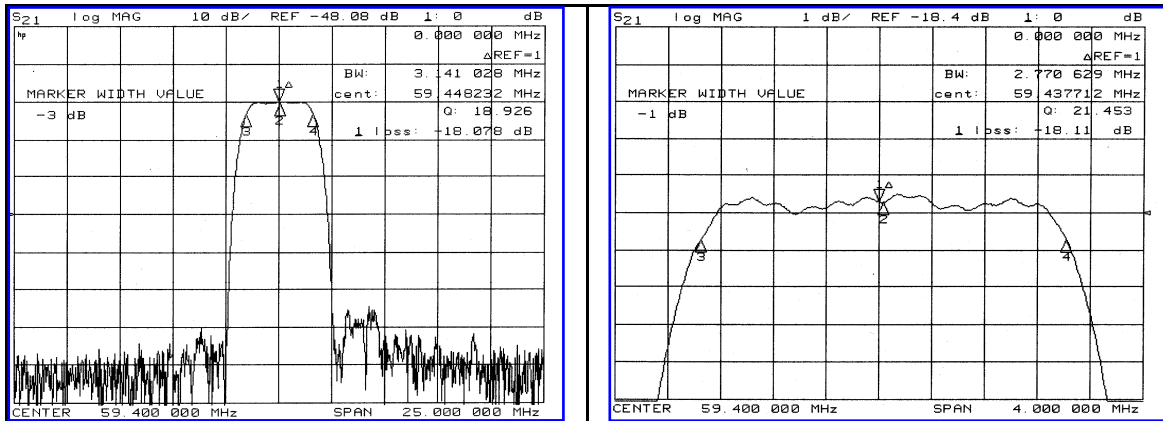


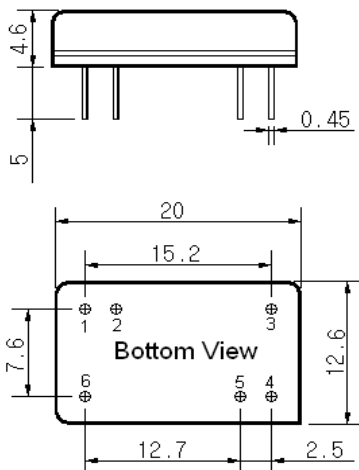
Typical Performance



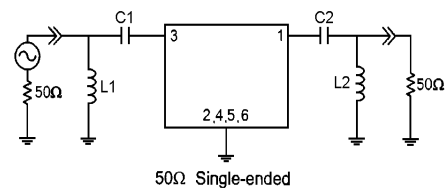
Specification

Parameter	Unit	Min.	Typ.	Max.
Center Frequency	MHz	59.32	59.40	59.48
Insertion Loss	dB	-	18.00	20.00
1dB Bandwidth	MHz	-	2.77	-
3dB Bandwidth	MHz	3.00	3.14	-
50dB Bandwidth	MHz	4.60	4.86	5.00
Passband Ripple	dB	-	0.55	1.00
Group Delay Variation	nsec	-	100	200
Absolute Delay	μsec	-	2.25	-
Ultimate Attenuation	dB	50	55	-
Substrate Material	-	YZ-LiNbO ₃		
Temperature Coefficient	ppm/°C	-94		

Package Dimension



Matching Configuration



L1=L2=220nH, C1=120pF, C2=100pF
 Source / Load Impedance = 50Ω
 Ambient Temperature = 25°C

02/01/2006

