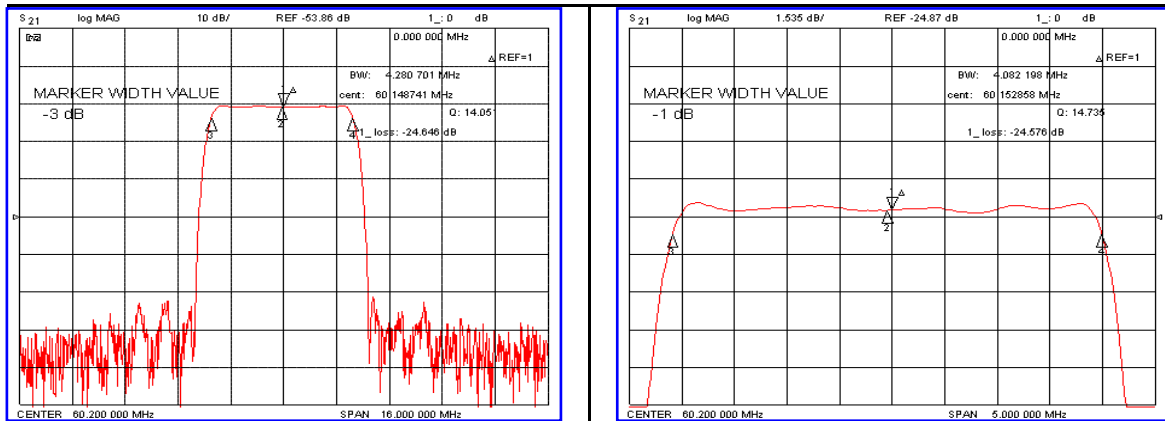


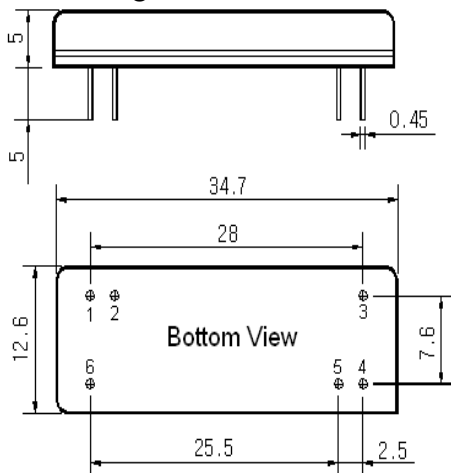
Typical Performance



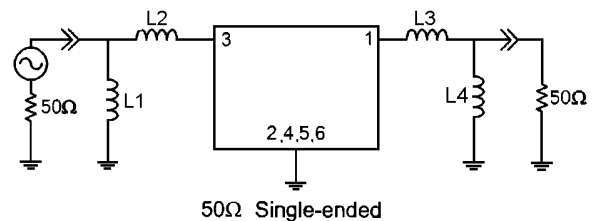
Specification

Parameter	Unit	Min.	Typ.	Max.
Center Frequency	MHz	60.12	60.20	60.28
Insertion Loss	dB	-	24.70	26.00
1dB Bandwidth	MHz	-	4.08	-
3dB Bandwidth	MHz	4.20	4.28	-
40dB Bandwidth	MHz	-	5.14	5.30
Passband Ripple	dB	-	0.50	0.80
Group Delay Variation	nsec	-	70	120
Absolute Delay	μsec	-	4.42	-
Ultimate Attenuation	dB	50	52	-
Substrate Material	-	LiTaO ₃		
Temperature Coefficient	ppm/°C	-20		

Package Dimension



Matching Configuration



L1=L4=180nH, L2=82nH, L3=82H
 Source / Load Impedance = 50Ω
 Ambient Temperature = 25°C

Rev 0. 080813

