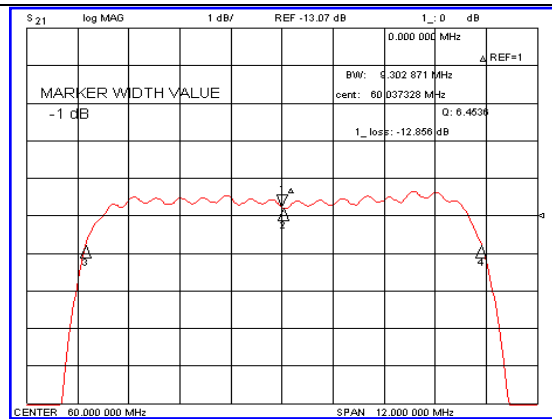
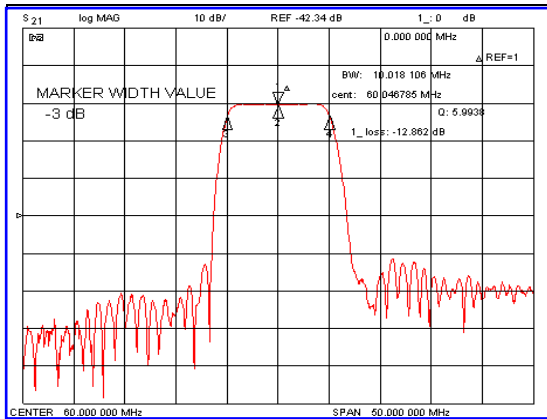


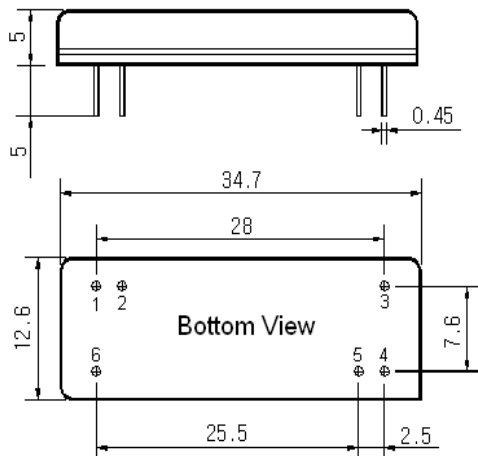
Typical Performance



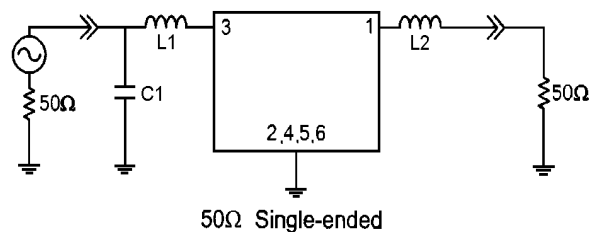
Specification

Parameter	Unit	Min.	Typ.	Max.
Center Frequency	MHz	59.90	60.00	60.10
Insertion Loss	dB	-	12.86	14.50
1dB Bandwidth	MHz	9.00	9.29	-
3dB Bandwidth	MHz	-	10.01	-
40dB Bandwidth	MHz	-	13.70	14.50
Passband Ripple	dB	-	0.50	1.00
Group Delay Variation	nsec	-	55	100
Absolute Delay	usec	-	0.90	-
Ultimate Attenuation	dB	40	43	-
Substrate Material	-	Yz-LiNbO ₃		
Temperature Coefficient	ppm/°C	-86		

Package Dimension



Matching Configuration



L1=150nH, L2=68nH, C1=36pF
Source / Load Impedance = 50Ω
Ambient Temperature = 25°C

Rev.0 091010

