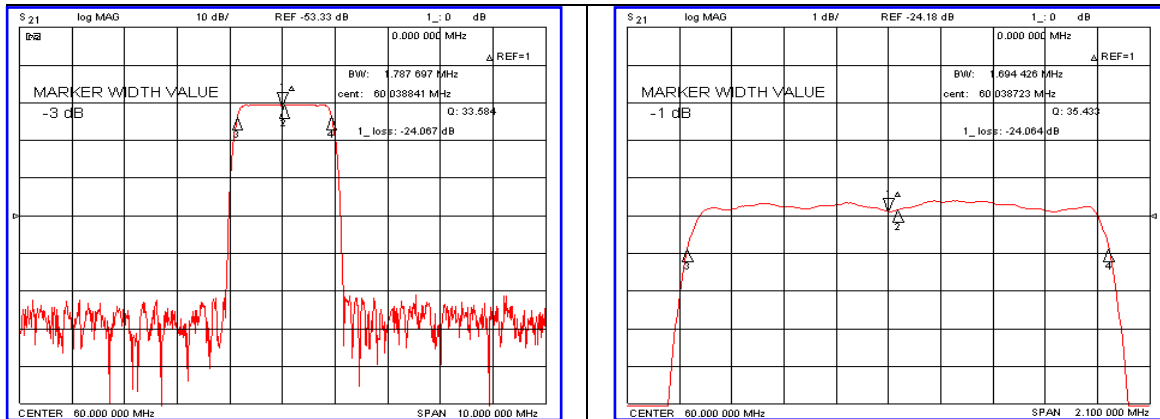


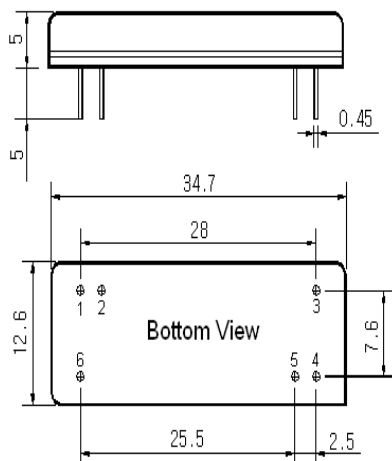
Typical Performance



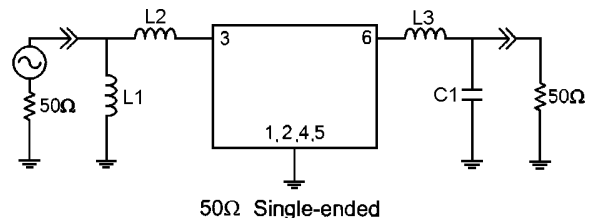
Specification

Parameter	Unit	Min.	Typ.	Max.
Center Frequency	MHz	59.92	60.00	60.08
Insertion Loss	dB	-	24.10	26.00
1dB Bandwidth	MHz	1.60	1.69	-
3dB Bandwidth	MHz	-	1.78	-
40dB Bandwidth	MHz	-	2.18	2.30
Passband Ripple($F_c \pm 0.75\text{MHz}$)	dB	-	0.40	1.00
Group Delay Variation	nsec	-	200	300
Absolute Delay	μsec	-	4.60	-
Ultimate Attenuation	dB	47	50	-
Substrate Material	-	Quartz		
Temperature Coefficient	ppm/ $^{\circ}\text{C}$	-0.03		

Package Dimension



Matching Configuration



L1=100nH, L2=150nH, L3=270nH, C1=91pF
 Source / Load Impedance = 50 Ω
 Ambient Temperature = 25 $^{\circ}\text{C}$

Rev0. 070920

