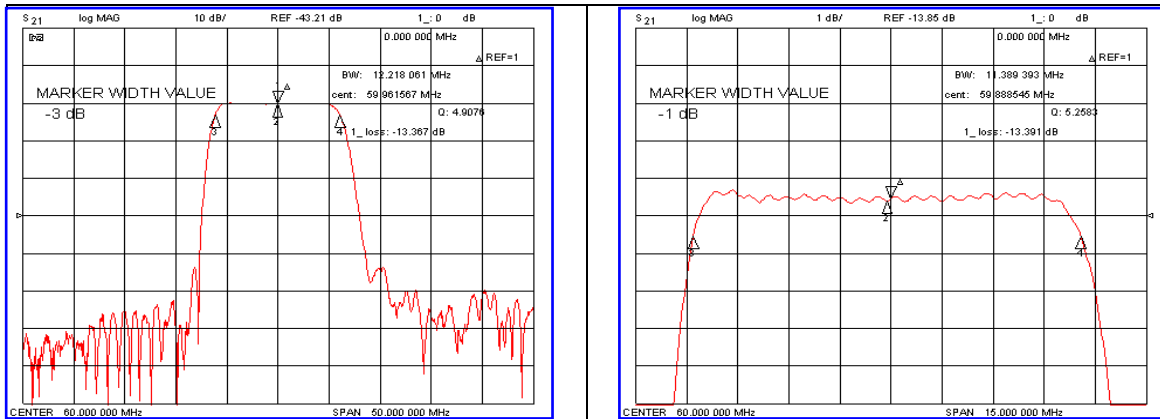


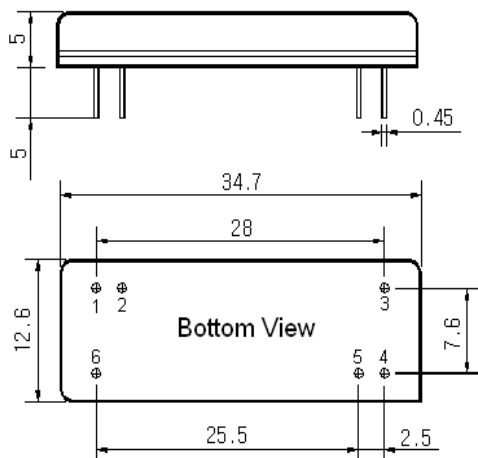
Typical Performance



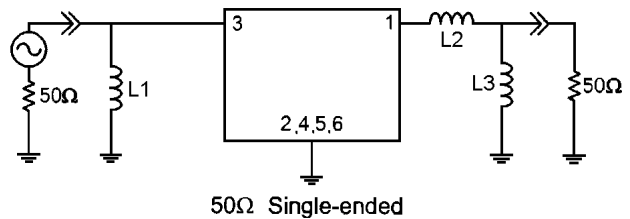
Specification

Parameter	Unit	Min.	Typ.	Max.
Center Frequency	MHz	59.90	60.00	60.10
Insertion Loss	dB	-	13.50	15.00
1dB Bandwidth	MHz	11.00	11.38	-
3dB Bandwidth	MHz	-	12.21	-
40dB Bandwidth	MHz	-	16.20	17.00
Passband Ripple	dB	-	0.40	1.00
Group Delay Variation	nsec	-	50	100
Absolute Delay	usec	-	0.93	-
Ultimate Attenuation	dB	40	44	-
Substrate Material	-	YZ-LiNbO ₃		
Temperature Coefficient	ppm/°C	-94		

Package Dimension



Matching Configuration



L1=150nH, L2=15nH, L3=150nH
 Source / Load Impedance = 50Ω
 Ambient Temperature = 25°C

Rev.0 090603

