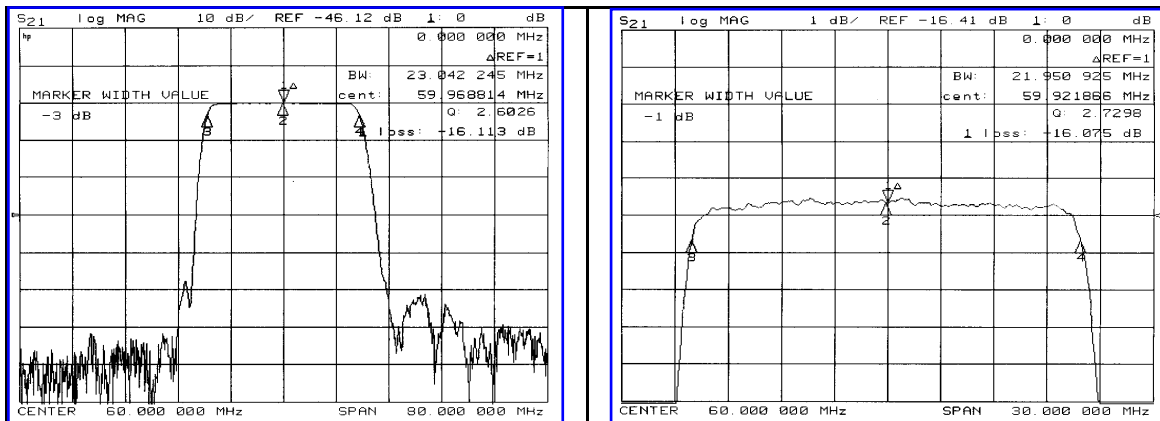


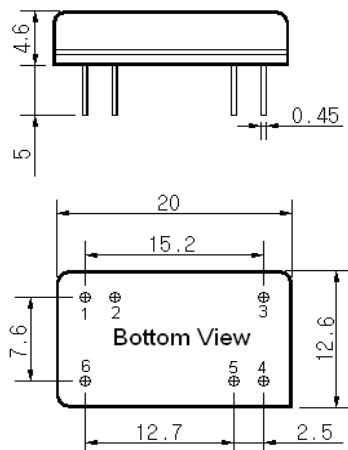
### Typical Performance



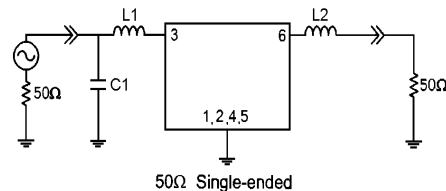
### Specification

Parameter	Unit	Min.	Typ.	Max.
Center Frequency (Fc)	MHz	-	60.00	-
Insertion Loss	dB	-	16.00	18.00
1dB Bandwidth	MHz	-	21.95	-
3dB Bandwidth	MHz	22.80	23.04	-
40dB Bandwidth	MHz	-	28.20	29.00
Passband Ripple (Fc±9.22MHz)	dB	-	0.45	1.00
Group Delay Variation (Fc±9.22MHz)	nsec	-	30	80
Absolute Delay	µsec	-	0.99	-
Ultimate Attenuation	dB	40	50	-
Substrate Material	-	YZ-LiNbO <sub>3</sub>		
Temperature Coefficient	ppm/°C	-86		

### Package Dimension



### Matching Configuration



L1=270nH, L2=100nH, C1=8pF  
 Source / Load Impedance = 50Ω  
 Ambient Temperature = 25°C

03/06/2006

