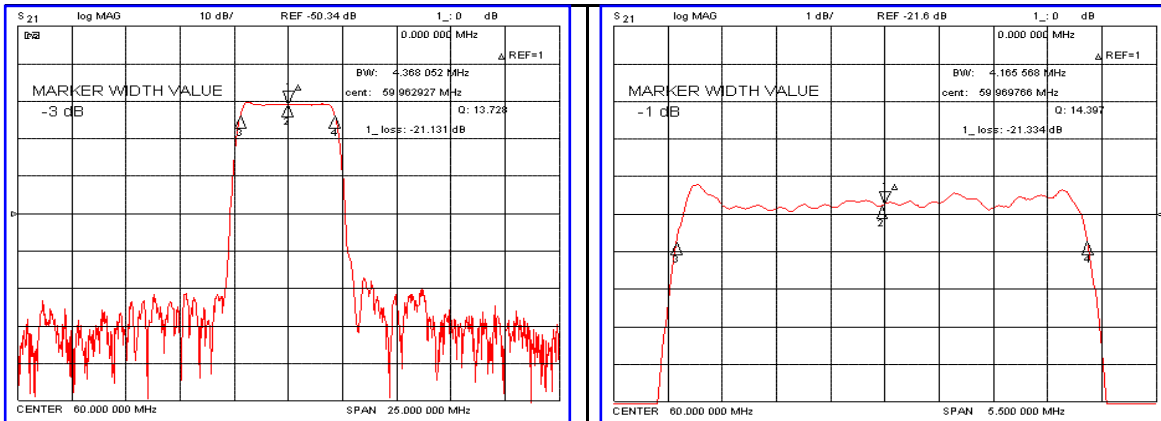


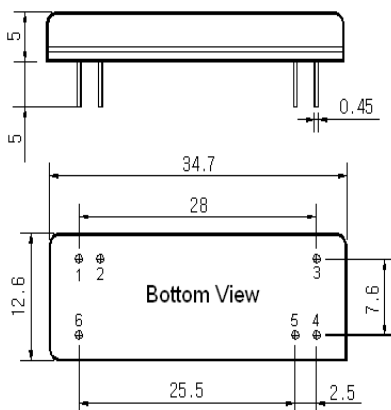
Typical Performance



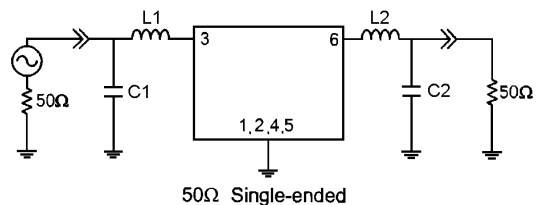
Specification

Parameter	Unit	Min.	Typ.	Max.
Center Frequency	MHz	59.92	60.00	60.08
Insertion Loss	dB	-	23.00	25.00
1dB Bandwidth	MHz	-	4.16	-
3dB Bandwidth	MHz	4.20	4.36	-
40dB Bandwidth	MHz	-	5.55	5.90
Passband Ripple	dB	-	0.65	1.00
Group Delay Variation	nsec	-	130	200
Absolute Delay	μsec	-	2.31	-
Ultimate Attenuation	dB	40	48	
Substrate Material	-	112-LiTaO ₃		
Temperature Coefficient	ppm/°C	-20		

Package Dimension



Matching Configuration



L1=82nH, L2=120nH, C1=100pF, C2=150pF
 Source / Load Impedance = 50Ω
 Ambient Temperature = 25°C

10/24/2006

