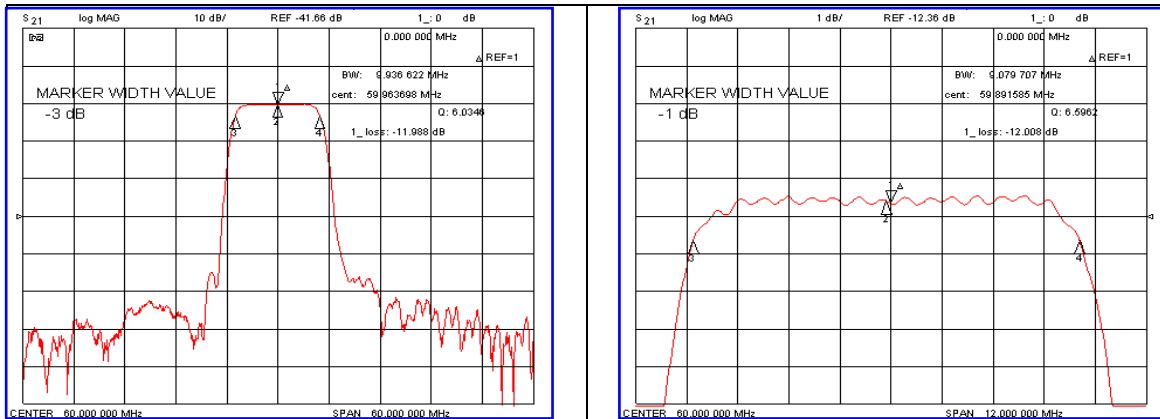


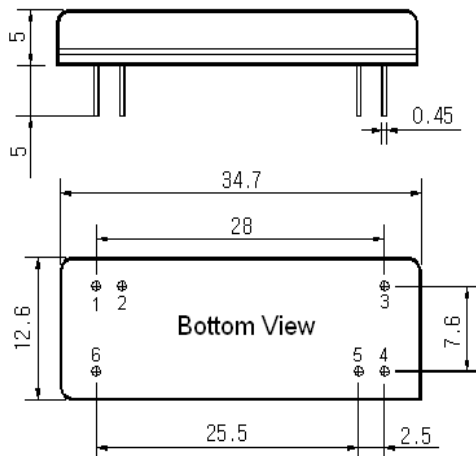
Typical Performance



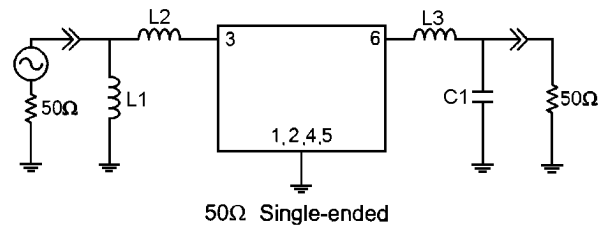
Specification

Parameter	Unit	Min.	Typ.	Max.
Center Frequency	MHz	59.92	60.00	60.08
Insertion Loss	dB	-	12.00	14.00
1dB Bandwidth	MHz	8.80	9.07	-
3dB Bandwidth	MHz	-	9.93	-
40dB Bandwidth	MHz	-	14.30	14.80
Passband Ripple	dB	-	0.45	1.00
Group Delay Variation	nsec	-	50	100
Absolute Delay	usec	-	0.89	1.00
Ultimate Attenuation	dB	40	45	-
Substrate Material	-	YZ-LiNbO ₃		
Temperature Coefficient	ppm/°C	-86		

Package Dimension



Matching Configuration



L1=390nH, L2=120nH, L3=100nH, C1=14pF
 Source / Load Impedance = 50Ω
 Ambient Temperature = 25°C

Rev.0 090401

