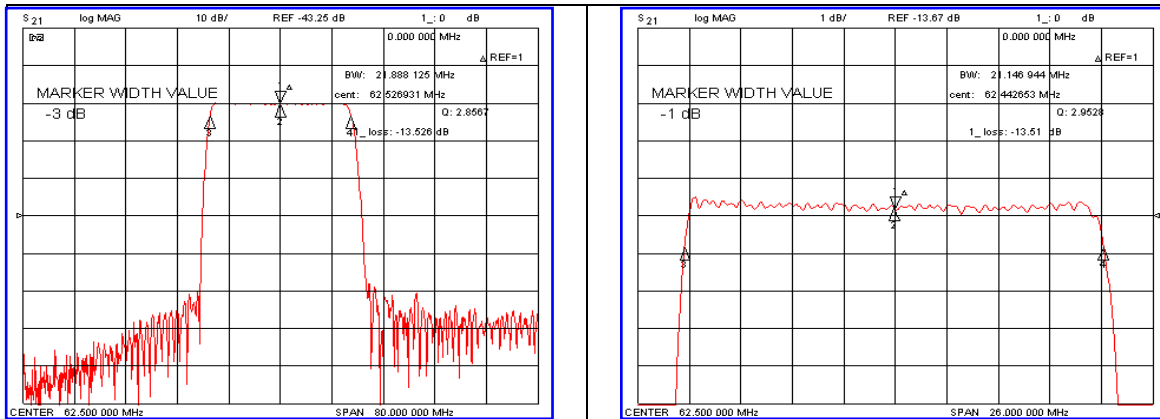


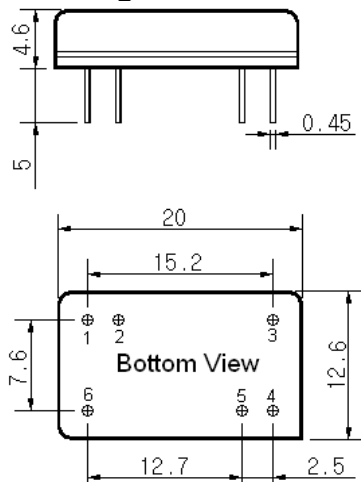
### Typical Performance



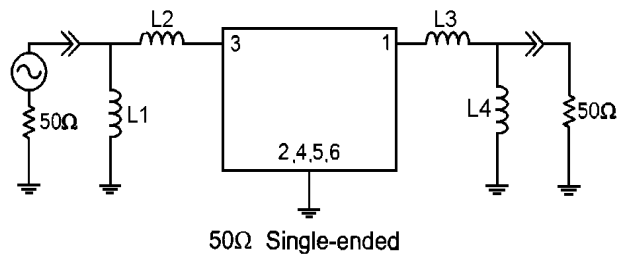
### Specification

Parameter	Unit	Min.	Typ.	Max.
Center Frequency	MHz	-	62.50	-
Insertion Loss	dB	-	13.60	15.50
1dB Bandwidth	MHz	21.00	21.14	-
3dB Bandwidth	MHz	-	21.88	-
40dB Bandwidth	MHz	-	25.50	26.50
Passband Ripple( $F_c \pm 9.22$ MHz)	dB	-	0.40	1.00
Group Delay Variation( $F_c \pm 9.22$ MHz)	nsec	-	35	50
Absolute Delay	$\mu$ sec	-	1.05	-
Ultimate Attenuation	dB	40	47	-
Substrate Material	-	YZ- $\text{LiNbO}_3$		
Temperature Coefficient	ppm/ $^{\circ}$ C	-94		

### Package Dimension



### Matching Configuration



L1=100nH, L2=27nH, L3=68nH, L4=100nH  
 Source / Load Impedance = 50 $\Omega$   
 Ambient Temperature = 25 $^{\circ}$ C

Rev0. 091026

