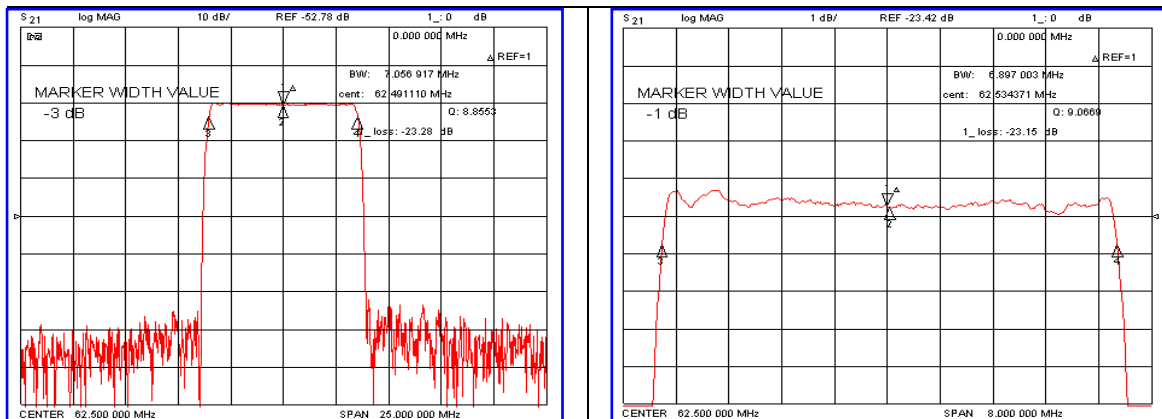


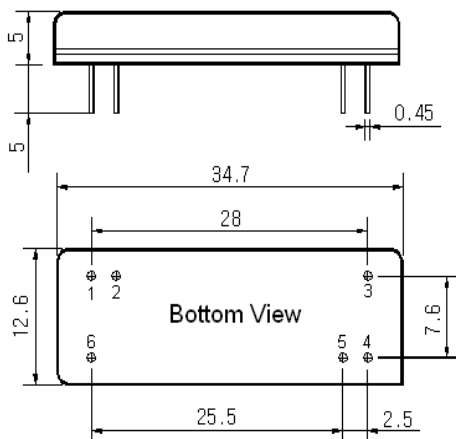
### Typical Performance



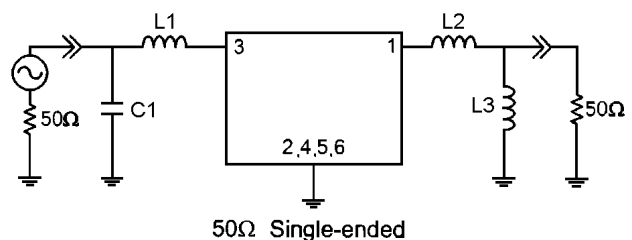
### Specification

Parameter	Unit	Min.	Typ.	Max.
Center Frequency	MHz	-	62.50	-
Insertion Loss	dB	-	23.50	25.00
1dB Bandwidth	MHz	6.80	6.89	-
3dB Bandwidth	MHz	-	7.05	-
35dB Bandwidth	MHz	-	7.70	7.80
40dB Bandwidth	MHz	-	7.74	-
Passband Ripple( $F_c \pm 3.125\text{MHz}$ )	dB	-	0.65	1.00
Group Delay Variation	nsec	-	100	200
Absolute Delay	usec	-	3.97	-
Ultimate Attenuation	dB	47	50	-
Substrate Material	-	Yz-LiNbO <sub>3</sub>		
Temperature Coefficient	ppm/°C	-94		

### Package Dimension



### Matching Configuration



L1=33nH, L2=33nH, L3=470nH, C1=8pF  
 Source / Load Impedance = 50Ω  
 Ambient Temperature = 25°C

Rev.0 090121

