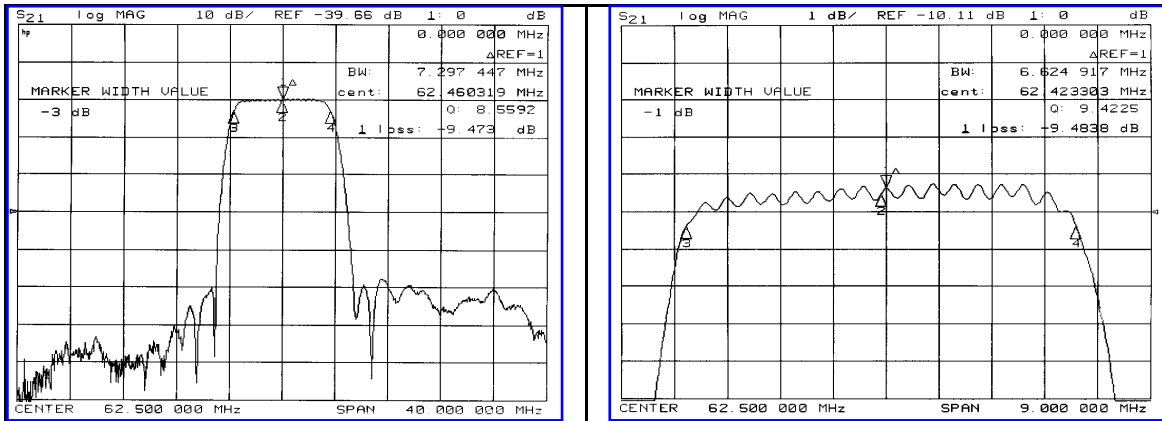


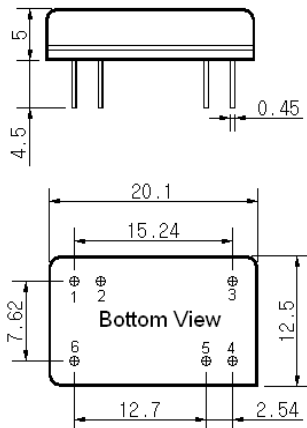
Typical Performance



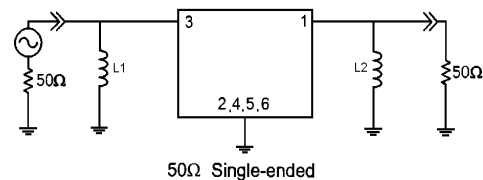
Specification

Parameter	Unit	Min.	Typ.	Max.
Center Frequency	MHz	62.40	62.50	62.60
Insertion Loss	dB	-	10.00	12.00
1dB Bandwidth	MHz	-	6.62	-
3dB Bandwidth	MHz	7.00	7.29	-
40dB Bandwidth	MHz	-	10.11	11.00
Passband Ripple	dB	-	0.75	1.00
Group Delay Variation	nsec	-	130	200
Absolute Delay	µsec	-	1.31	-
Ultimate Attenuation	dB	40	50	-
Substrate Material	-	YZ-LiNbO ₃		
Temperature Coefficient	ppm/°C	-94		

Package Dimension



Matching Configuration



L1=120nH, L2=100nH
 Source / Load Impedance = 50Ω
 Ambient Temperature = 25°C

05/22/2006

